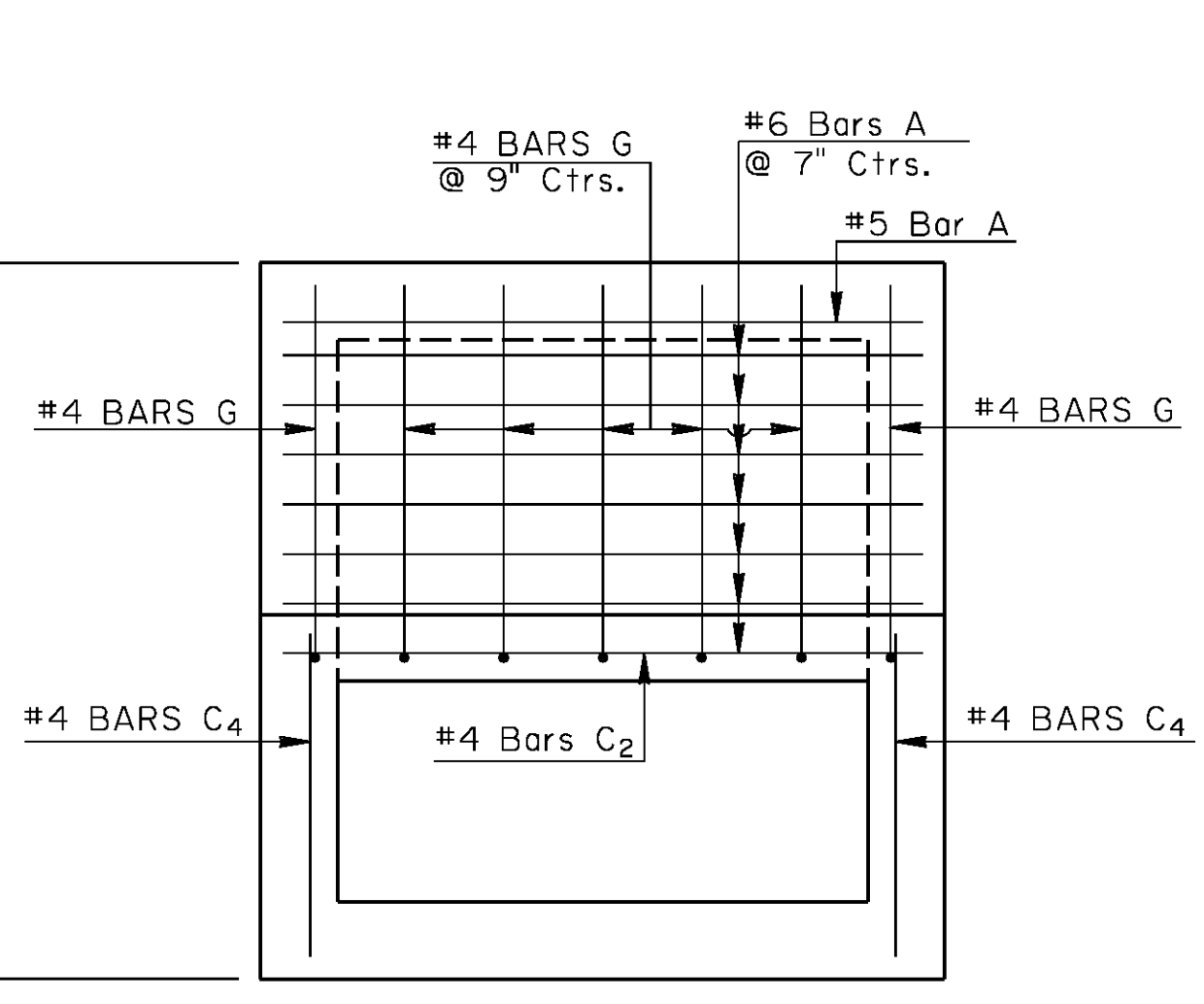
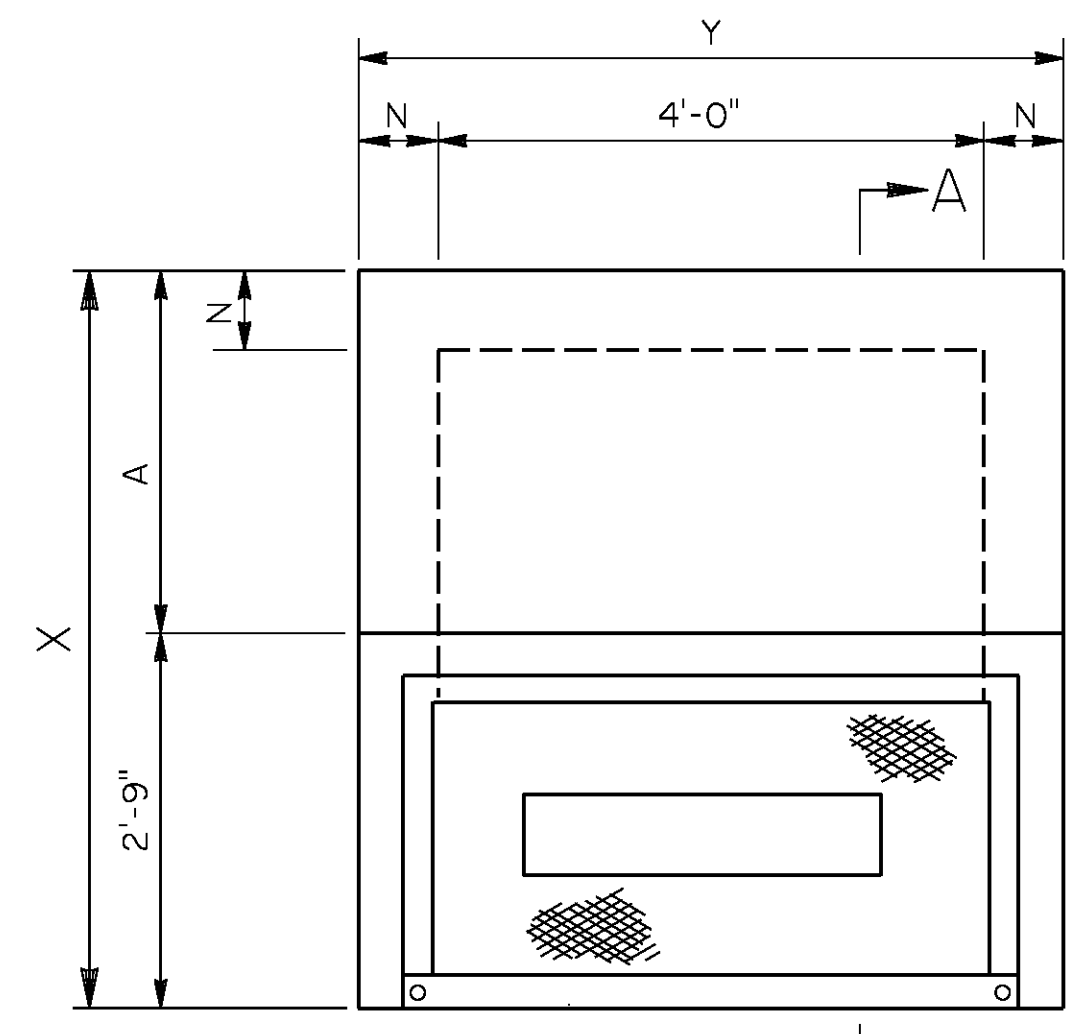


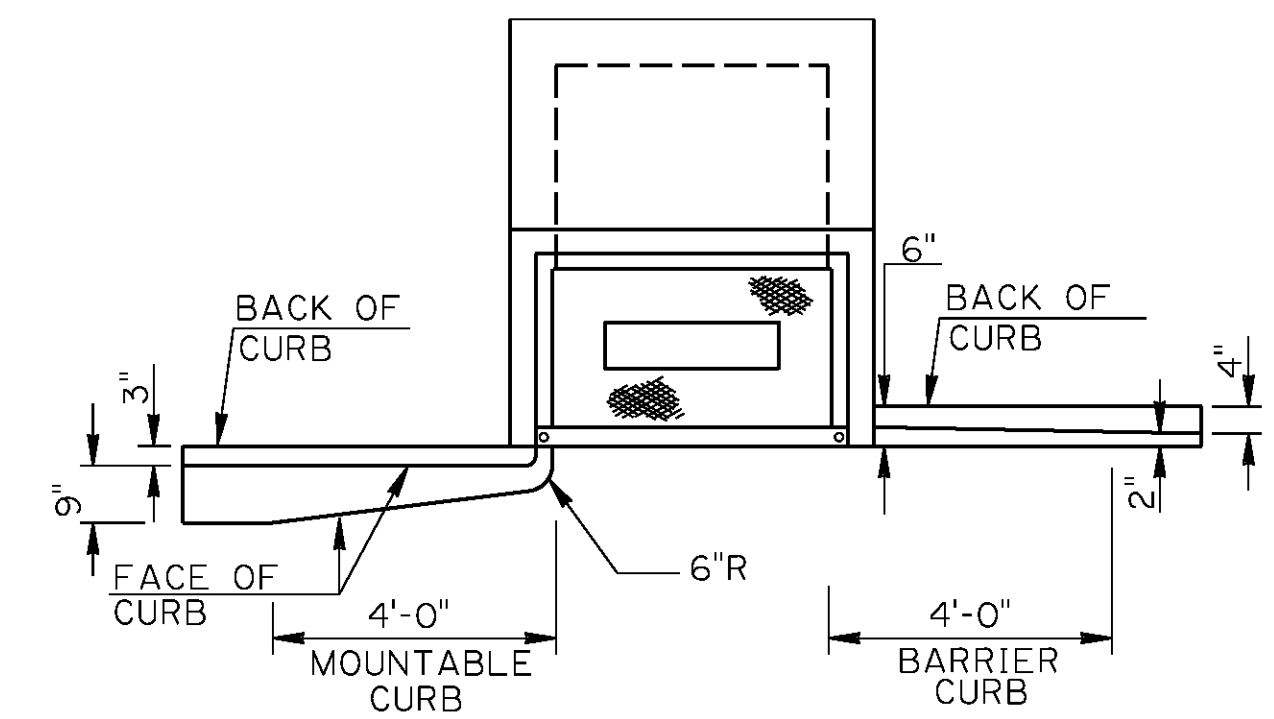
SECTION
SHOWING BOTTOM SLAB REINFORCING STEEL



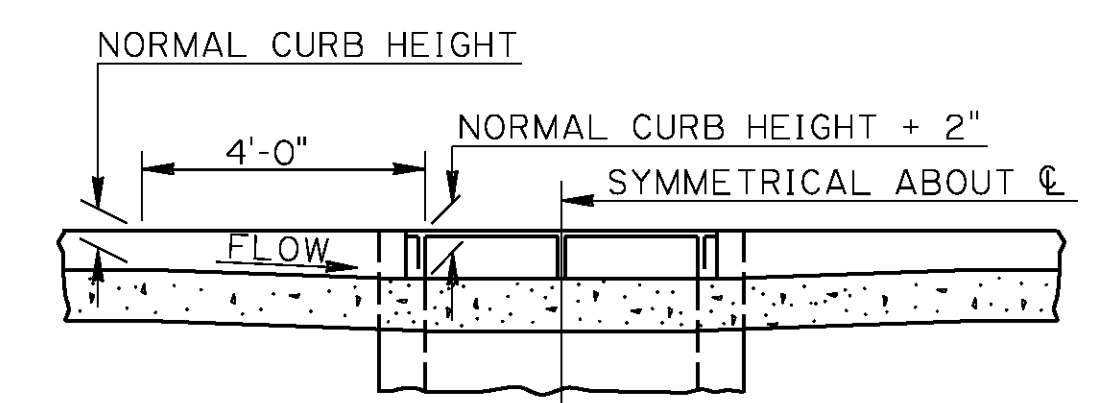
PLAN
SHOWING TOP SLAB REINFORCING STEEL



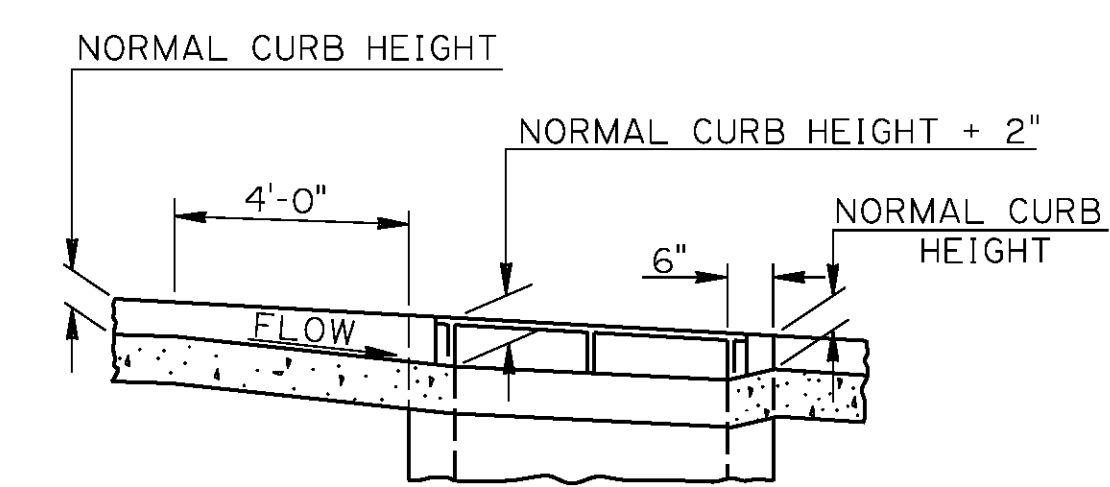
PLAN
FOR DETAILS OF METAL GRATE AND COVER, SEE STD. PLAN MC-01, TYPE "H".



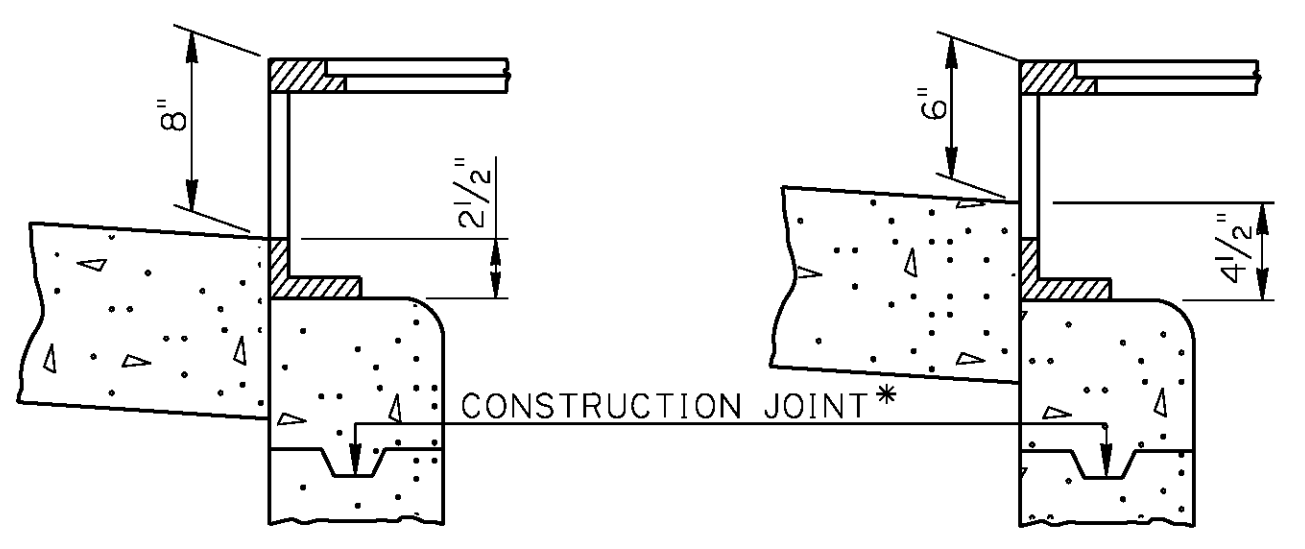
TRANSITION IN CURB WIDTH
(TYPICAL)



TRANSITION IN CURB HEIGHT
CATCH BASIN AT LOW POINT



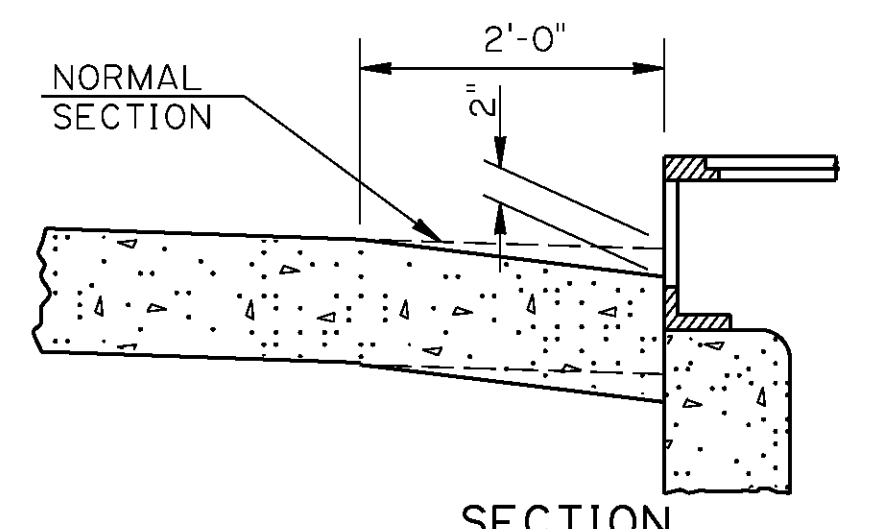
TRANSITION IN CURB HEIGHT
CATCH BASIN ON A GRADE



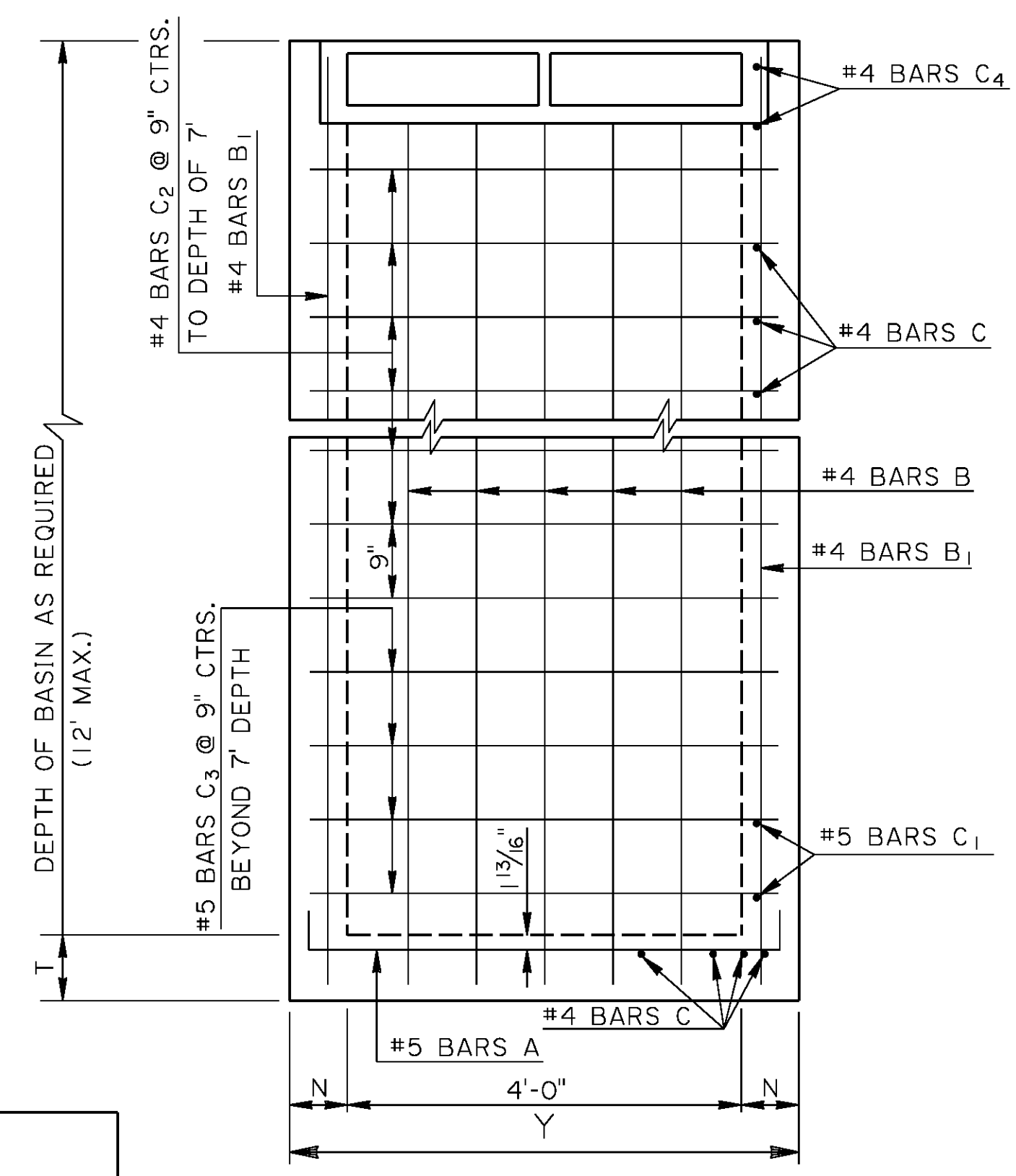
INLET CONFIGURATION

WHEN USED WITH 6" BARRIER CURB
WHEN USED WITH 4" MOUNTABLE CURB

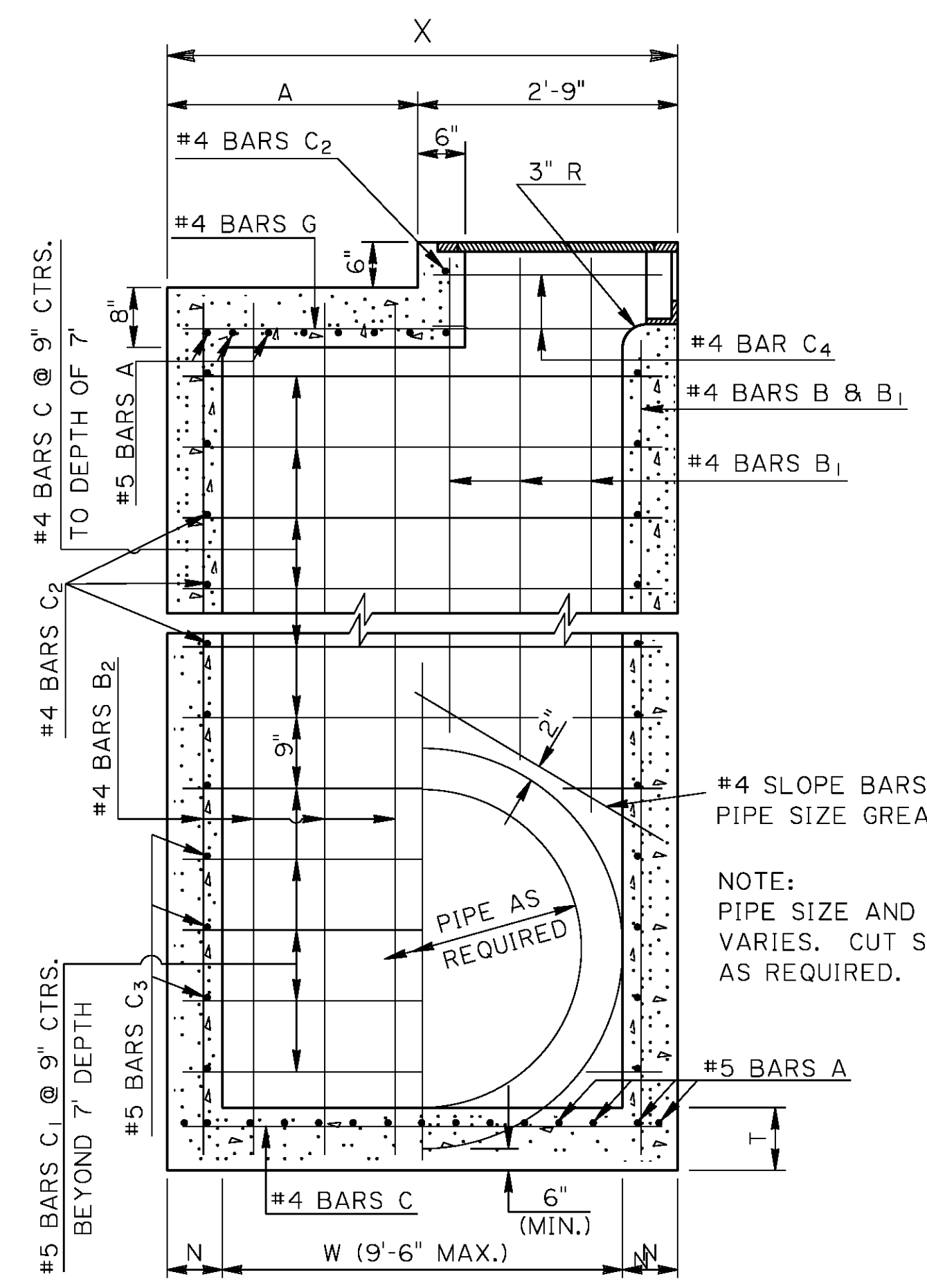
* NOTE:
THE BASIN SHALL NOT BE CONSTRUCTED ABOVE BOTTOM OF PAVEMENT ELEVATION UNTIL THE PAVING ADJACENT TO THE BASIN IS IN PLACE.



SECTION
SHOWING PAVEMENT SUMP TYPICAL

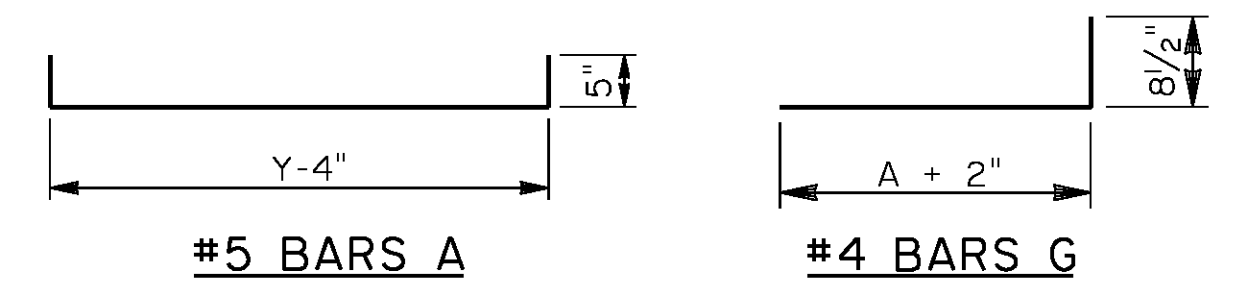


ELEVATION



SECTION A-A

NOTE:
PIPE SIZE AND LOCATION VARIES. CUT STEEL TO CLEAR AS REQUIRED.



CONCRETE CATCH BASIN											
PIPE DIA. ①	W ②	T	DEPTH LESS THAN 8'				DEPTH FROM 8' TO 12'				
			X	Y	N	A	X	Y	N	A	
In	Ft-In	In (MIN.)	Ft-In	Ft-In	In (MIN.)	Ft-In	Ft-In	Ft-In	In (MIN.)	Ft-In	
15 to 24	2-6	8	3-8	5-2	7	0-11	3-10	5-4	8	1-1	
30	3-1	8	4-3	5-2	7	1-6	4-5	5-4	8	1-8	
36	3-8	8	4-10	5-2	7	2-1	5-0	5-4	8	2-3	
42	4-3	8	5-5	5-2	7	2-8	5-7	5-4	8	2-10	
48	4-10	8	6-0	5-2	7	3-3	6-2	5-4	8	3-5	
54	5-5	9	6-7	5-2	7	3-10	6-9	5-4	8	4-0	
60	6-0	9	7-2	5-2	7	4-5	7-4	5-4	8	4-7	
72	7-2	9	8-4	5-2	7	5-7	8-6	5-4	8	5-9	
84	8-4	10	9-6	5-2	7	6-9	9-8	5-4	8	6-11	
96	9-6	10	10-8	5-2	7	7-11	10-8	5-4	8	8-1	

① REFERS TO SIDEWALL PIPE OR "TRUNKLINE". FRONTWALL OR "CROSSING PIPE" MAY NOT EXCEED 42".
② W AND X DIMENSIONS MAY BE VARIED FOR SKEWED PIPE, BUT W SHALL NOT EXCEED 9'-6\"/>

NOTE:
FOR REQUIREMENTS FOR WEEP HOLE DETAILS FOR STREET INLETS SEE, "CATCH BASIN SPECIAL DETAIL-01" (CB-SD-01).