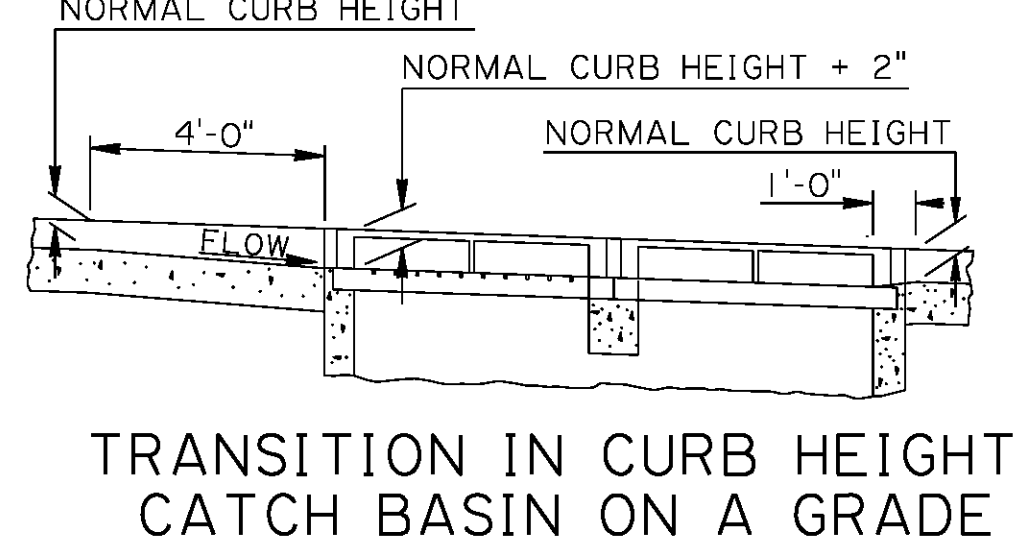
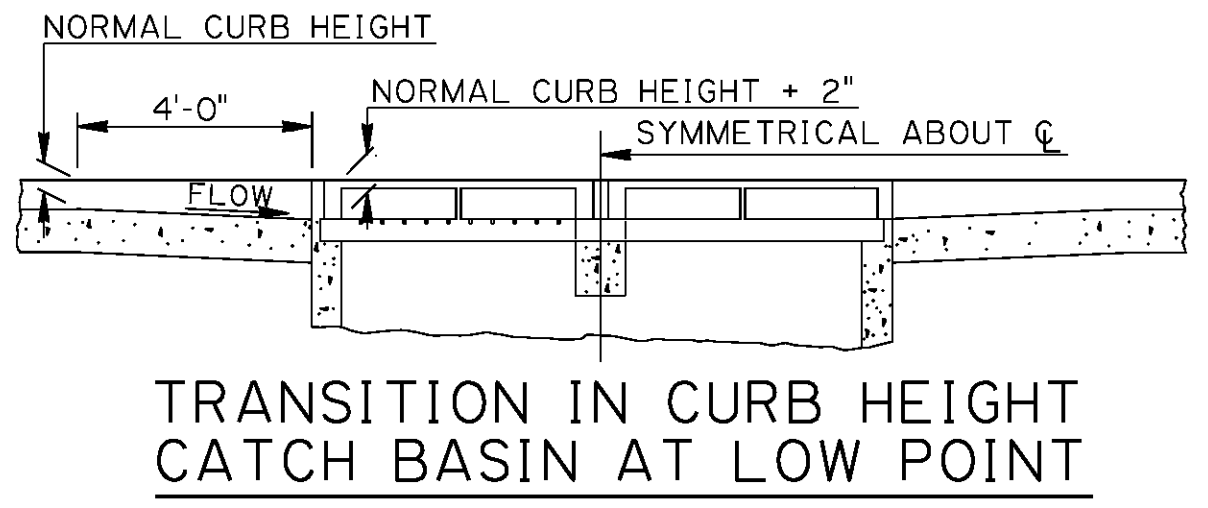
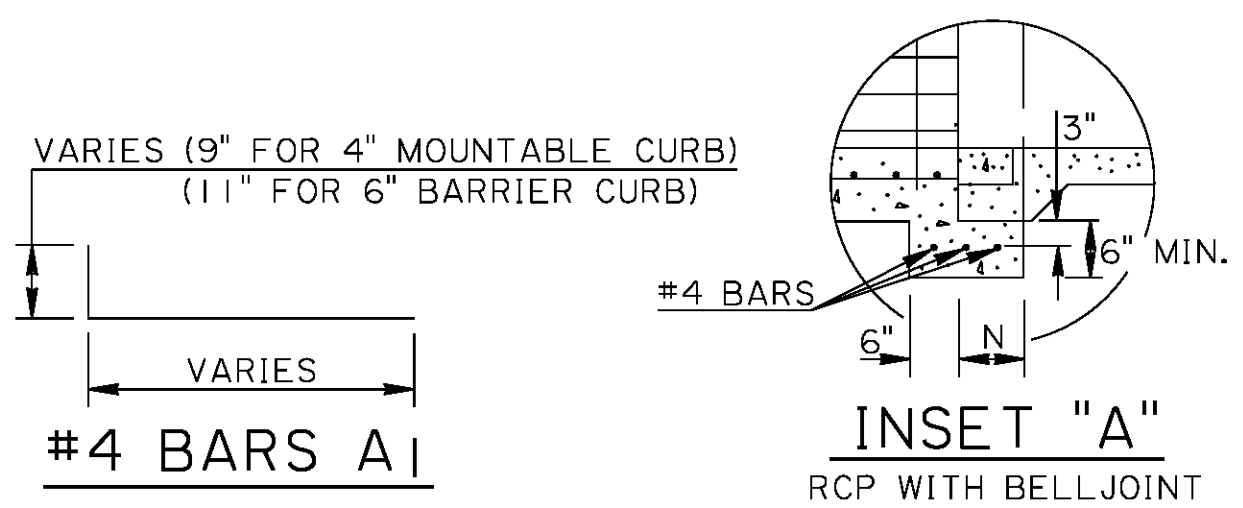
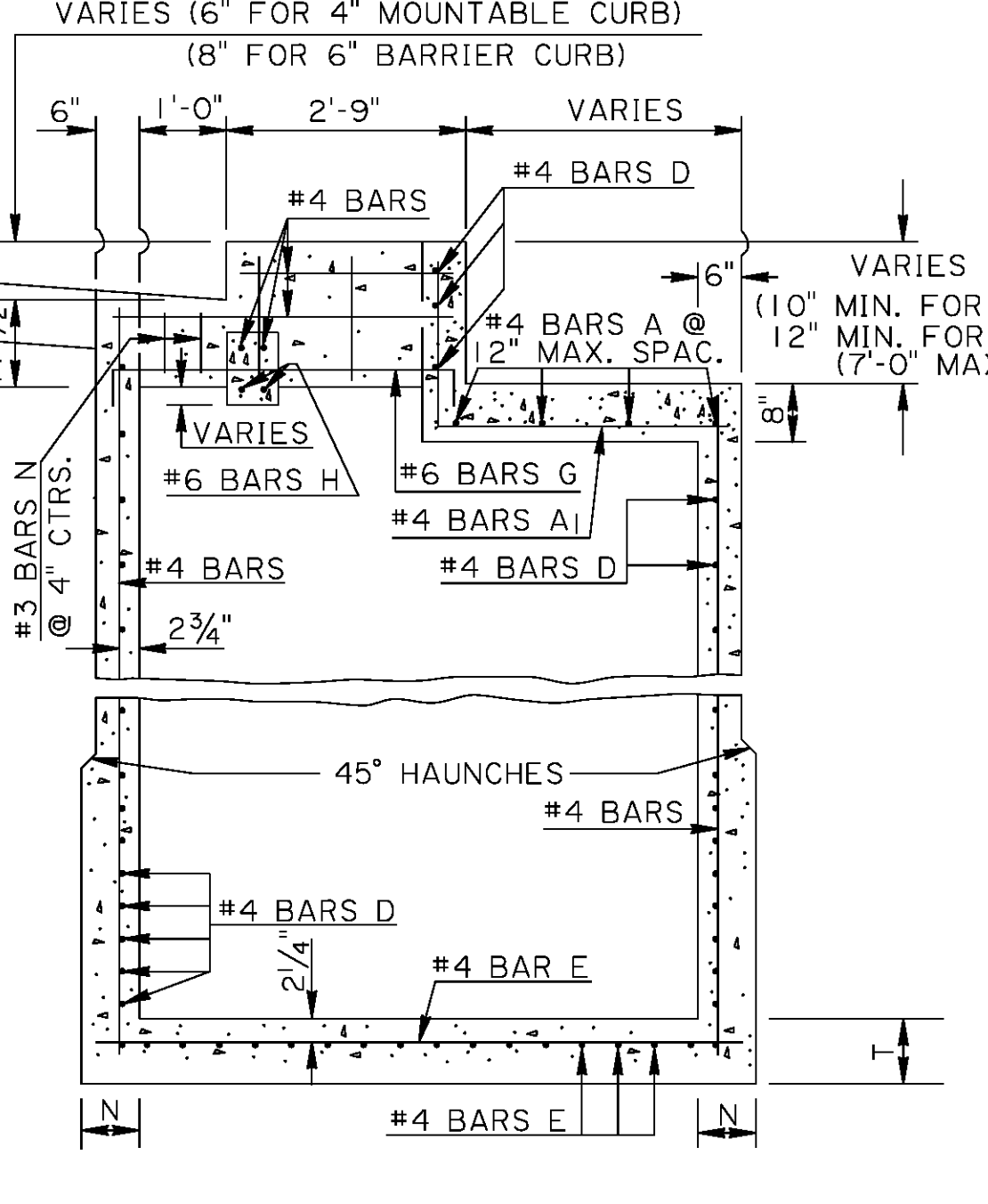
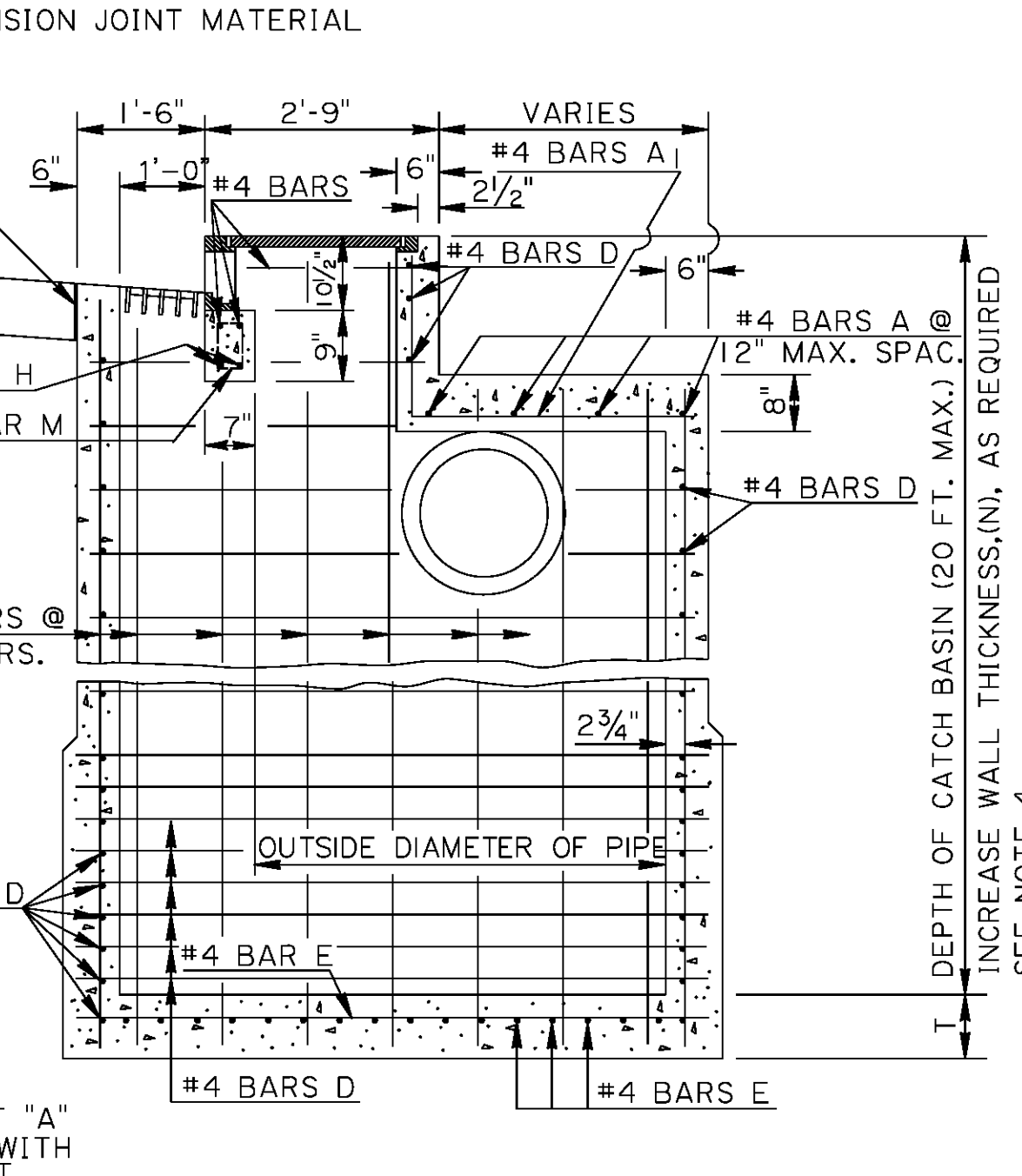
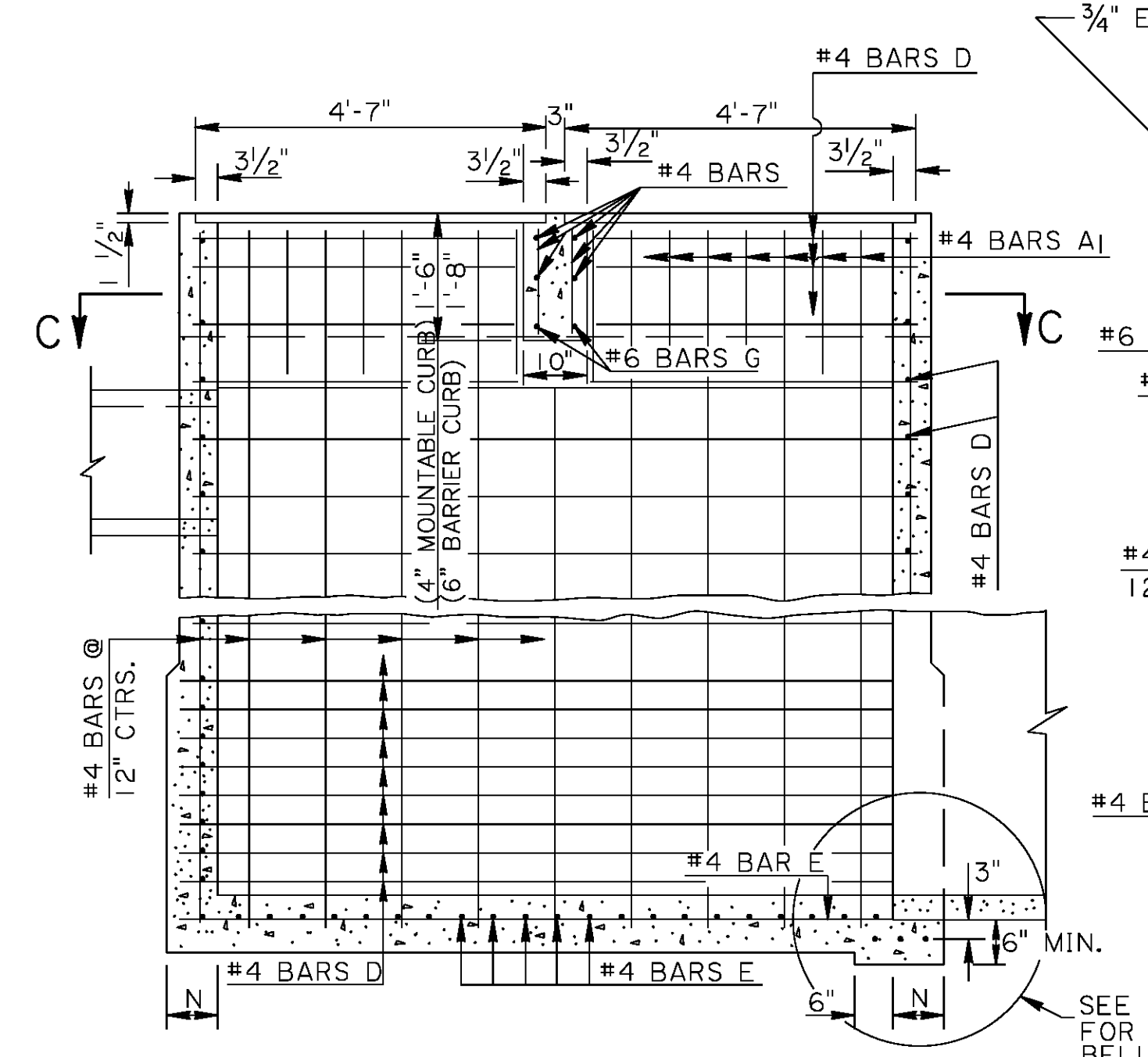
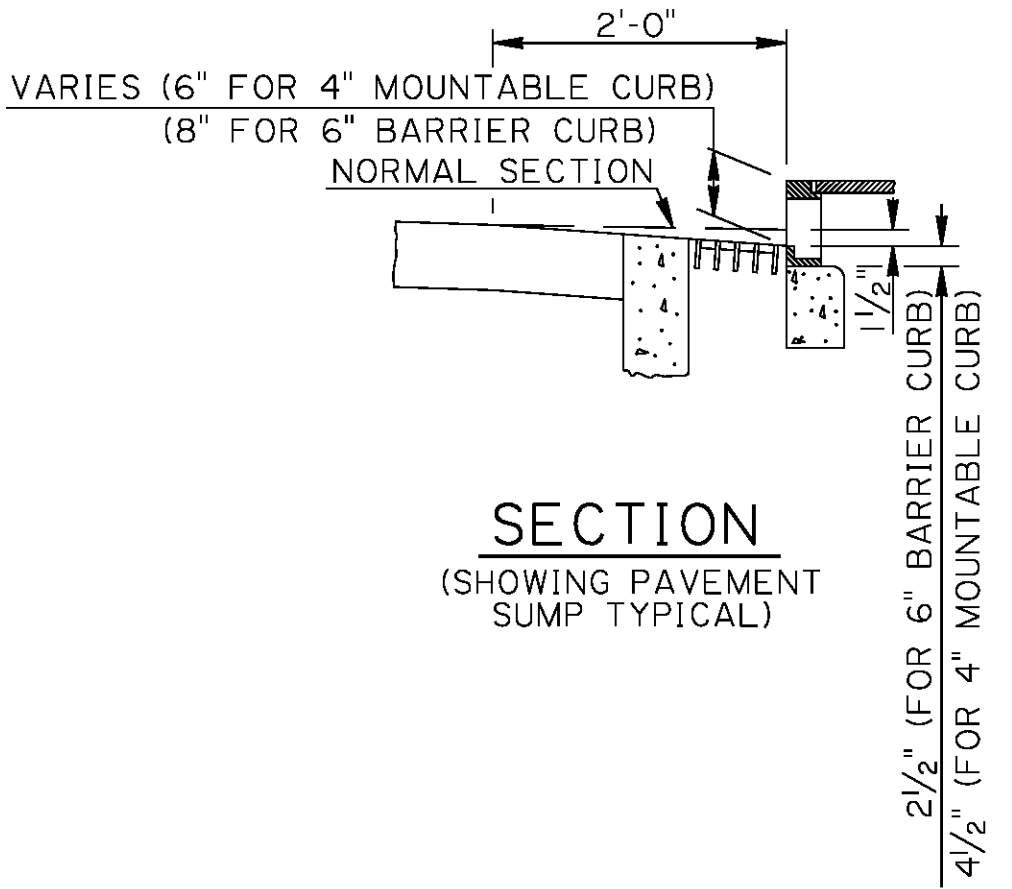
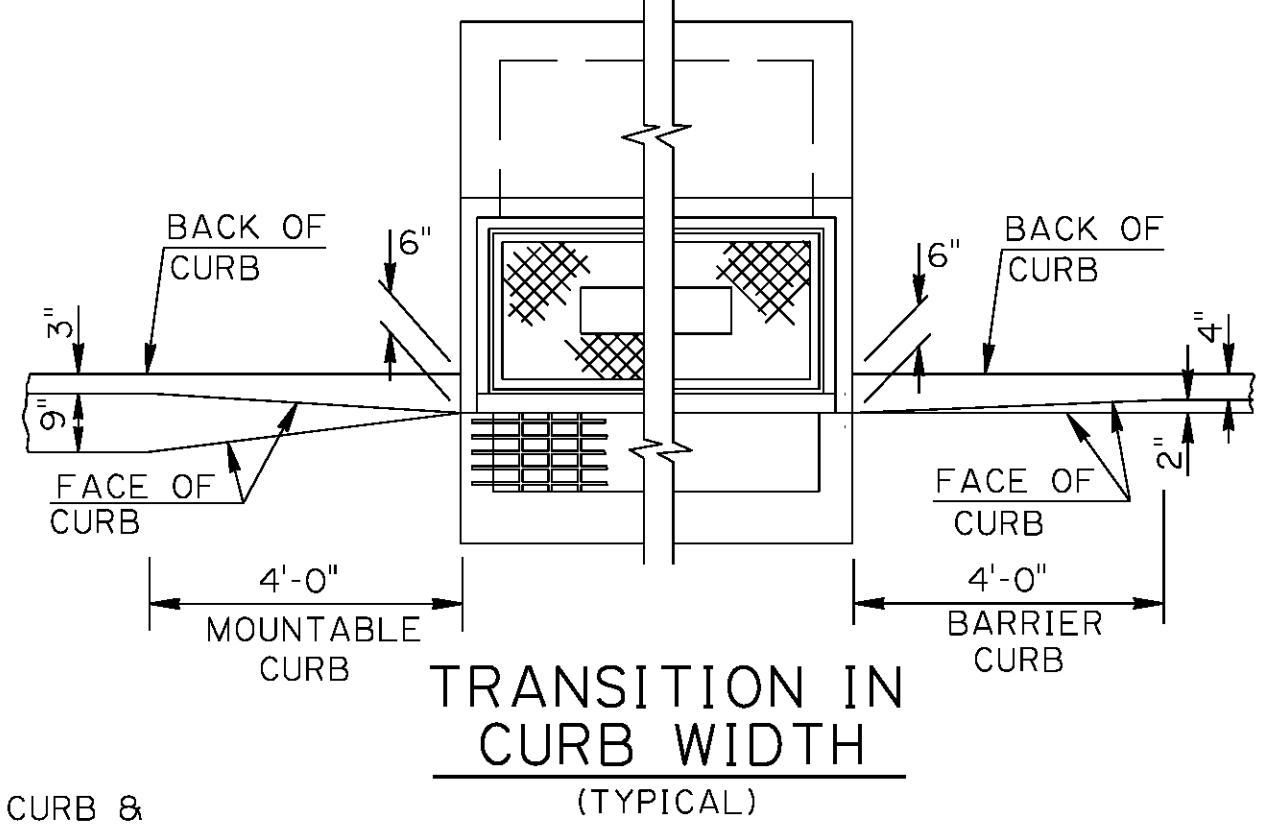


GENERAL NOTES:

- CATCH BASIN IS DESIGNED ACCORDING TO CURRENT AASHTO PROCEDURES. SECTION 702 OF THE LAFAYETTE CONSOLIDATED GOVERNMENT STANDARD SPECIFICATIONS SHALL APPLY.
- CONCRETE: ALL CONCRETE SHALL BE CLASS "M" MINOR STRUCTURE. ALL EXPOSED EDGES SHALL BE CHAMFERED 3/4 IN. EXCEPT AS NOTED.
- REINFORCING STEEL: REINFORCING STEEL SHALL BE GRADE 60. DIMENSIONS ARE TO BAR CENTERS. MINIMUM COVER FOR REINFORCING BARS SHALL BE 2 IN. CLEAR UNLESS SHOWN OTHERWISE.
- AS DEPTH INCREASES THE WALL AND SLAB THICKNESSES AND REINFORCEMENT SHOULD BE INCREASED AS SHOWN IN THE TABLE BELOW. THE CONTRACTOR HAS THE OPTION TO PROVIDE THE MAXIMUM REQUIRED WALL THICKNESS FOR THE FULL DEPTH OF THE STRUCTURE.
- FOR DETAILS OF METAL COVER, FRAME, AND GRATE, SEE STD. PLAN MC-01, TYPE H & TYPE I.
- THE CONTRACTOR WILL NOT POUR ABOVE THE BOTTOM OF THE SLAB UNTIL THE PAVING ADJACENT TO THE CATCH BASIN HAS BEEN COMPLETED.



NOTE:
FOR REQUIREMENTS FOR WEEP HOLE DETAILS FOR STREET INLETS SEE, "CATCH BASIN SPECIAL DETAIL-01" (CB-SD-01).

CONCRETE CATCH BASIN
DOUBLE COMBINATION TYPE
4" MOUNTABLE OR 6" BARRIER
MAX. PIPE SIZE: 72" x 84" RCP MAX. DEPTH: 12'

CB-08