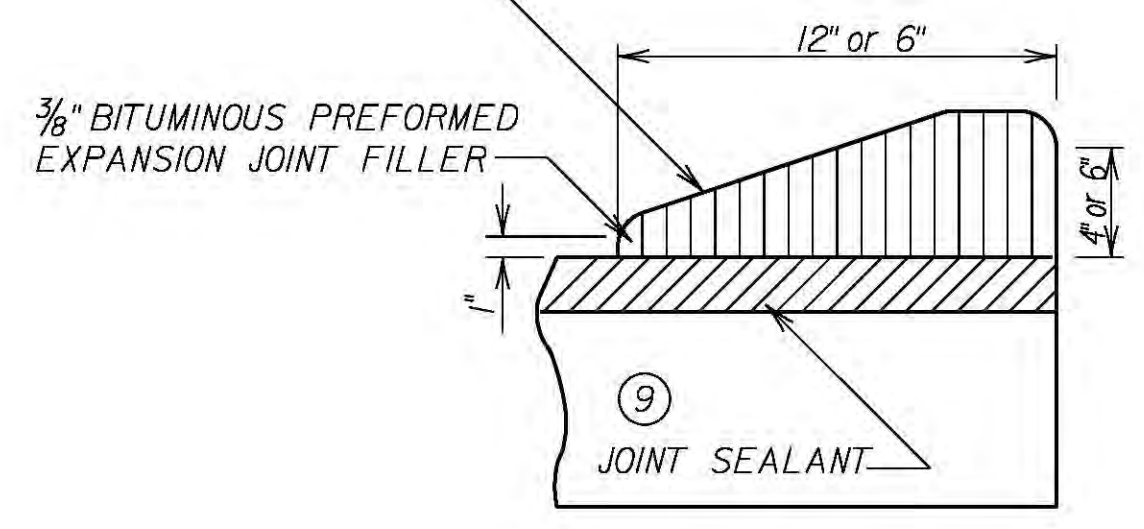
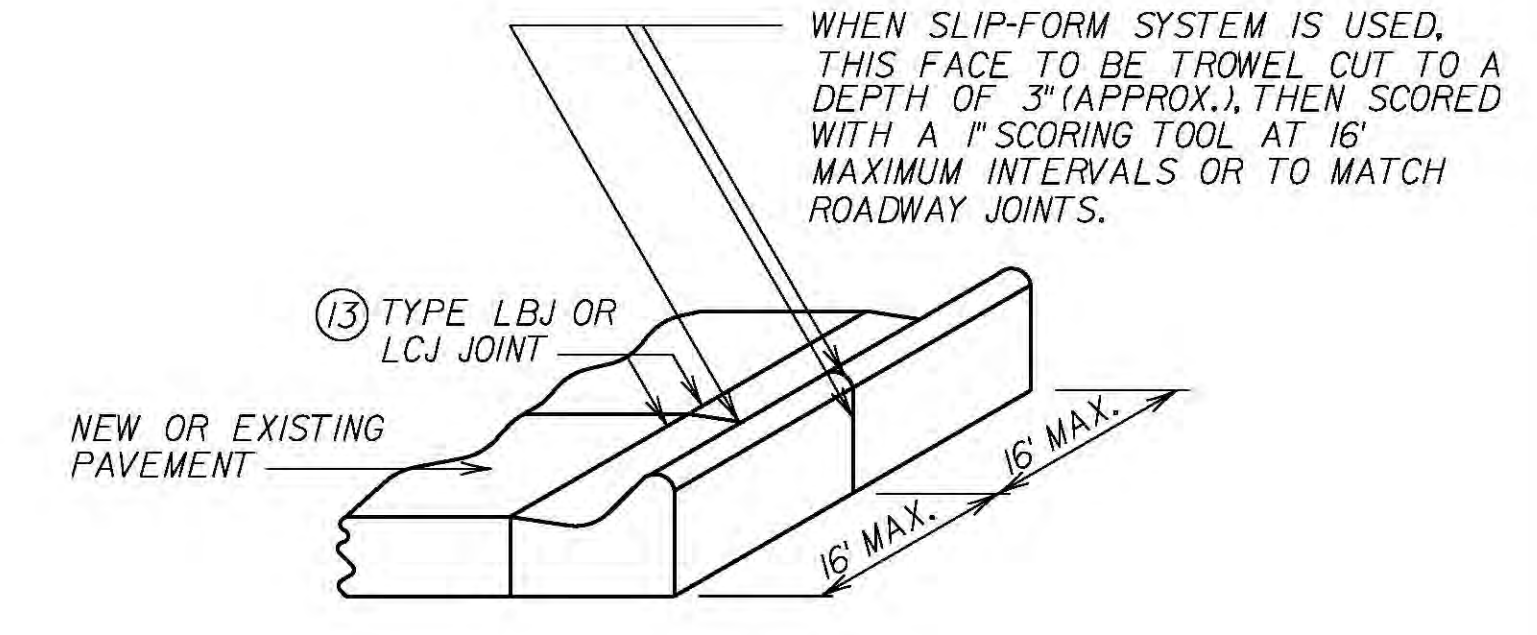


BAR DETAIL - BARRIER (INTEGRAL)
SHOWING DIMENSIONS AND SPACING OF NO. 4 CURB BARS AND LONGITUDINAL BARS FOR CONC. CURB

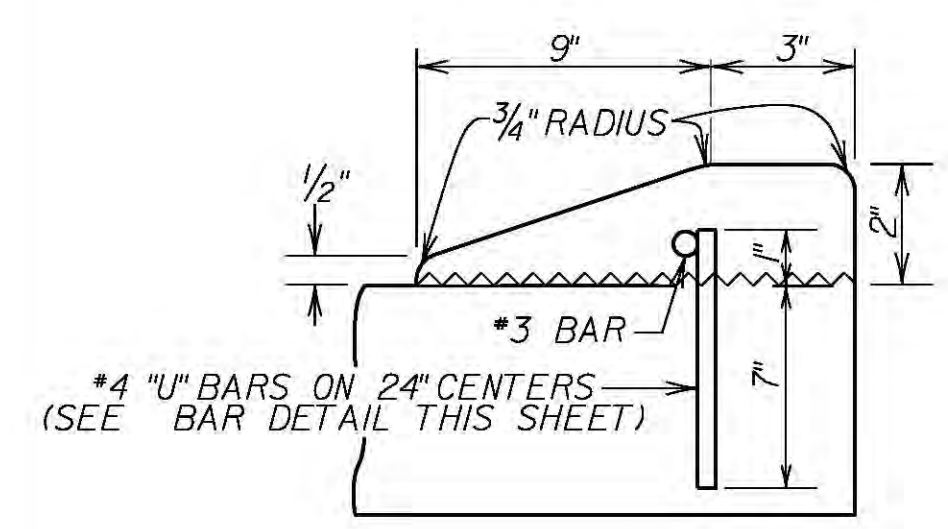
NOTE:
WHEN CURB IS POURED MONOLITHICALLY WITH PAVEMENT, THE BITUMINOUS PREFORMED EXPANSION JOINT FILLER SHALL EXTEND TO THE TOP OF JOINT INSERT. WHEN TRANSVERSE JOINTS ARE CONSTRUCTED BY SAWING, THE INITIAL SAW CUT SHALL EXTEND THROUGH THE CURBED SECTION (CURB AND UNDER-LYING PAVEMENT). THE SUBSEQUENT WIDENING CUT FOR THE JOINT SEALANT RESERVOIR SHALL EXTEND INTO THE CURB FOR A DISTANCE NECESSARY TO ENSURE THE SPECIFIED RESERVOIR DEPTH IS BEING MAINTAINED AT THE GUTTER LINE. ALL CURB FACES REGARDLESS OF CURB TYPE SHALL BE SEALED, WHEN TRANSVERSE JOINT IS SAWED THROUGH CURB.



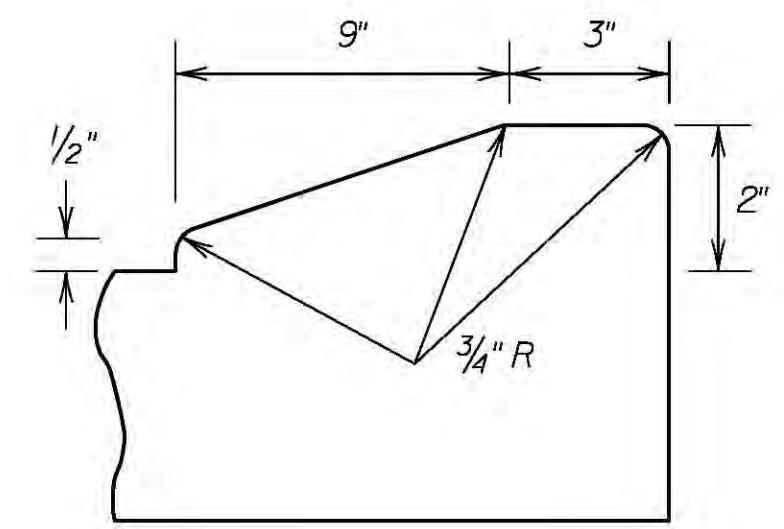
JOINT FILLER DETAIL FOR INTEGRAL CONCRETE CURB (MOUNTABLE OR BARRIER TYPE)



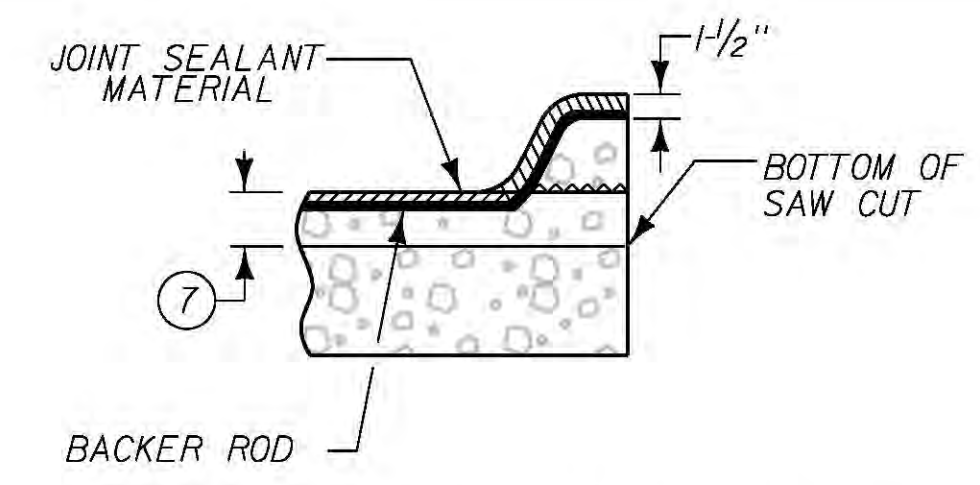
DETAIL SHOWING JOINTS IN CONCRETE CURB AND CURB AND GUTTER
(EXTEND ALL TCJ AND CJ THROUGH CURB AND GUTTER)



(MODIFIED BARRIER)

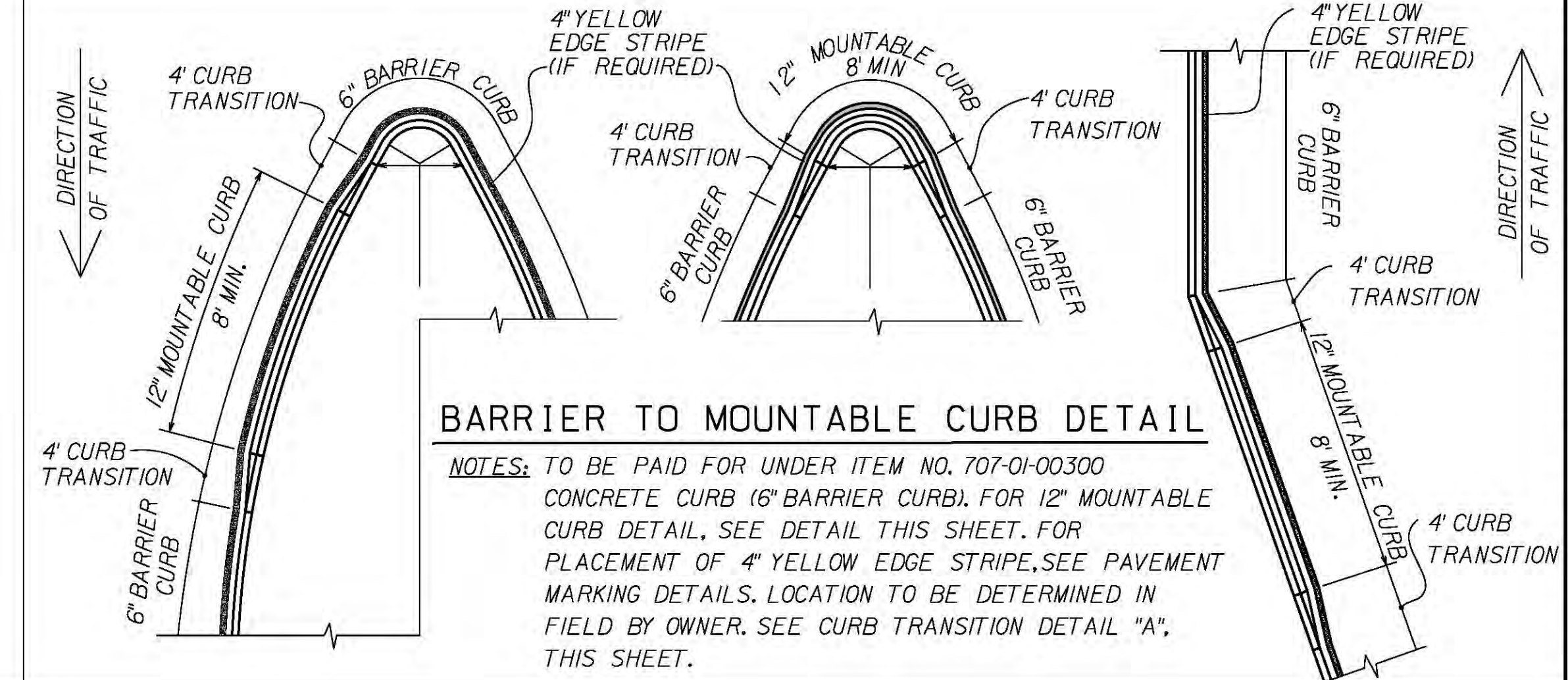


MODIFIED MOUNTABLE CURB THRU DRIVEWAY (MONOLITHIC POUR ONLY)



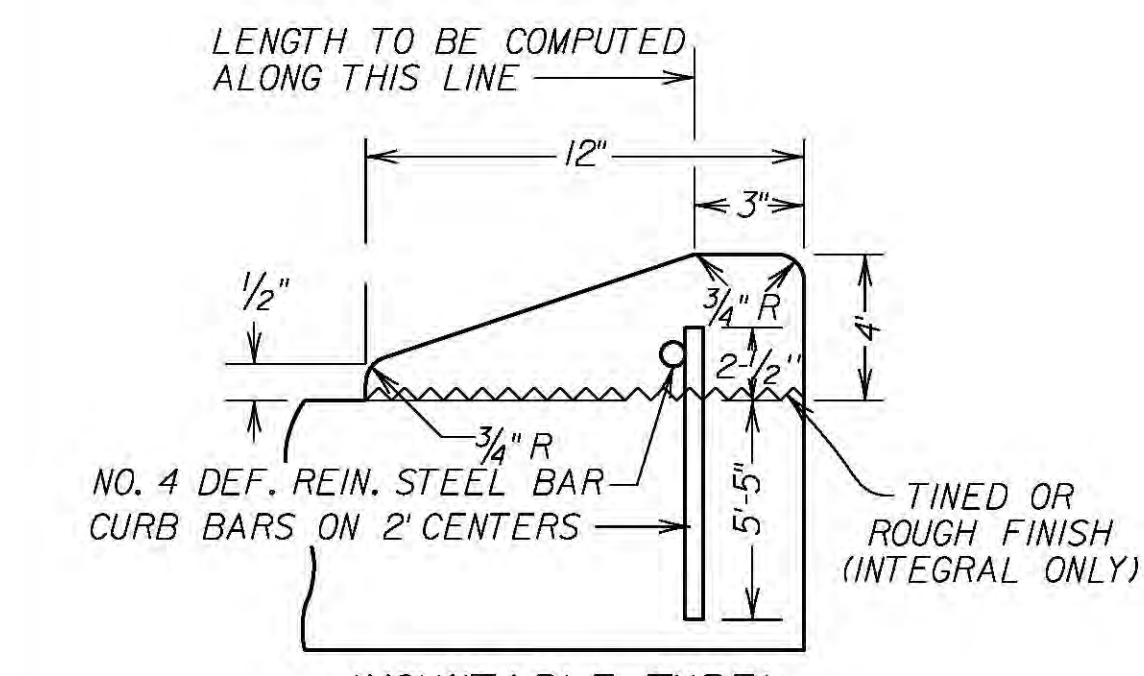
DETAIL FOR JOINT IN CURB POURED INTEGRAL W/PAVEMENT

- NOTES:**
- 1 SEE SHEET 3 FOR JOINT DETAILS "A-D" & "G-I".
 - 2 IF JOINT IS SEALED FULL DEPTH THEN NO BACKER ROD IS REQUIRED.
 - 3 FOR SEALING OF EXPANSION JOINTS SEE SECTION A-A ON SHEET 2.

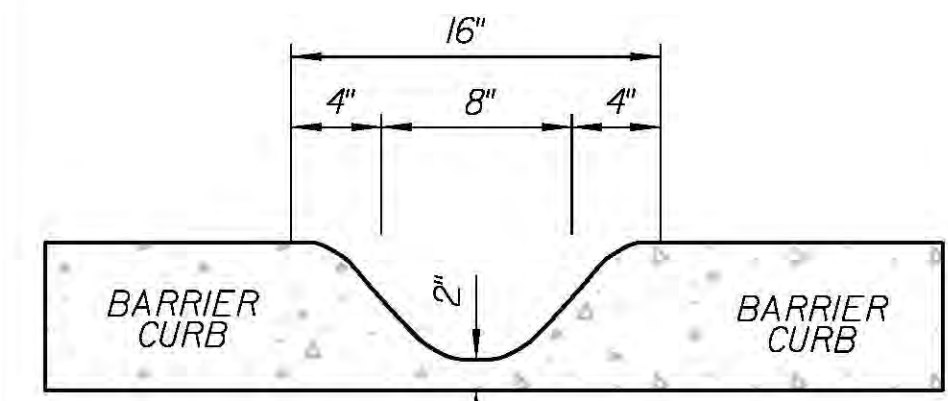


BARRIER TO MOUNTABLE CURB DETAIL

- NOTES:** TO BE PAID FOR UNDER ITEM NO. 707-01-00300 CONCRETE CURB (6" BARRIER CURB). FOR 12" MOUNTABLE CURB DETAIL, SEE DETAIL THIS SHEET. FOR PLACEMENT OF 4" YELLOW EDGE STRIPE, SEE PAVEMENT MARKING DETAILS. LOCATION TO BE DETERMINED IN FIELD BY OWNER. SEE CURB TRANSITION DETAIL "A", THIS SHEET.

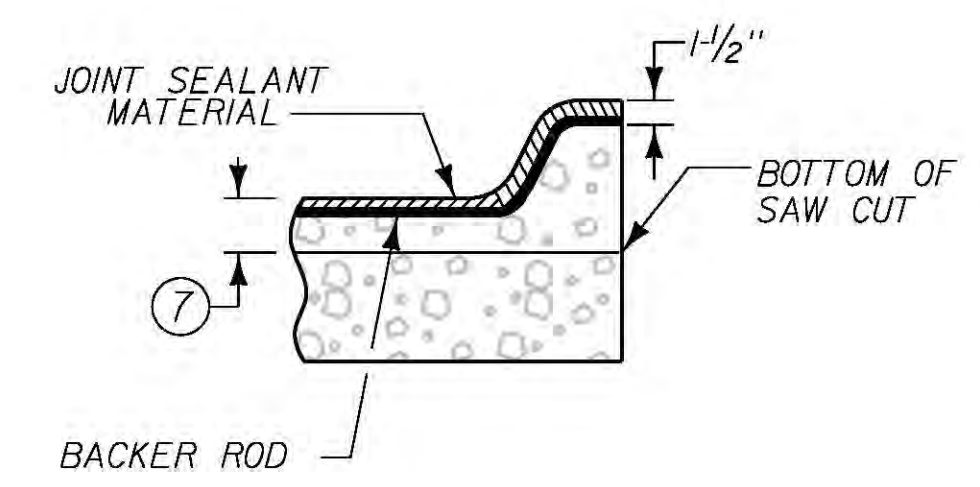


(MOUNTABLE TYPE)



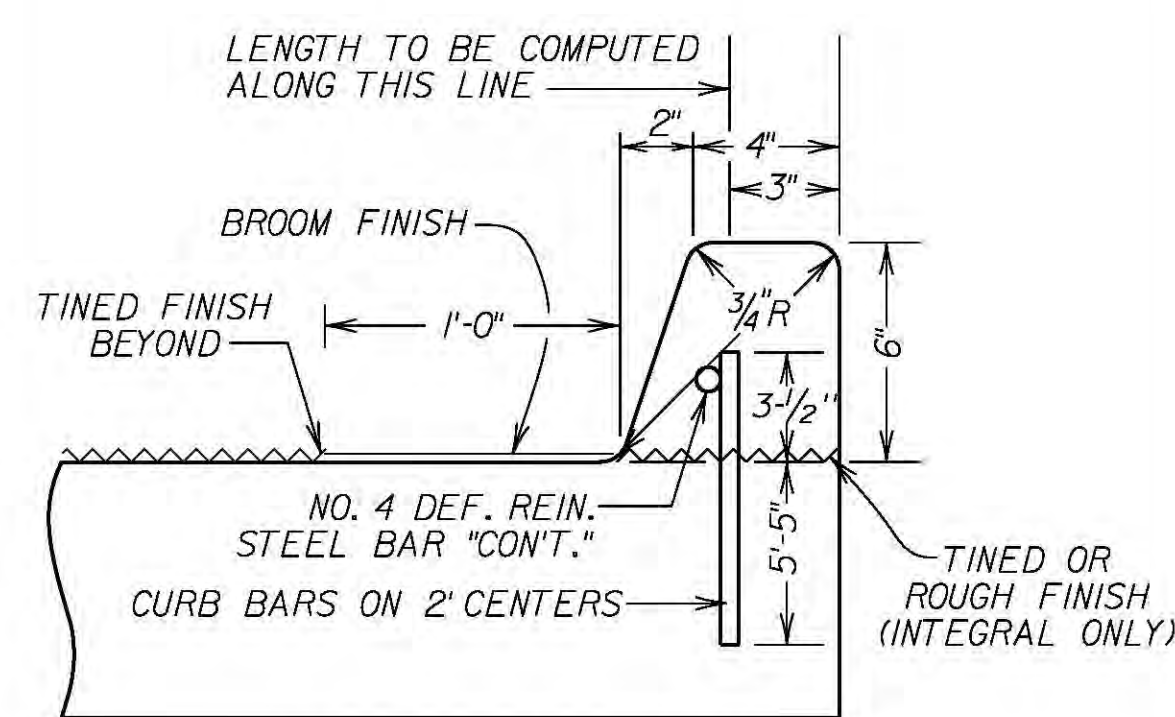
CURB DRAIN DETAIL

NOTE: DRAINS TO BE PLACED AT LOCATION DESIGNATED BY THE PROJECT ENGINEER @ NO DIRECT PAYMENT



DETAIL FOR JOINT IN CURB POURED MONOLITHIC W/PAVEMENT

- NOTES:**
- 1 SEE SHEET 3 FOR JOINT DETAILS "A-D" & "G-I".
 - 2 IF JOINT IS SEALED FULL DEPTH THEN NO BACKER ROD IS REQUIRED.
 - 3 FOR SEALING OF EXPANSION JOINTS SEE SECTION A-A ON SHEET 2.

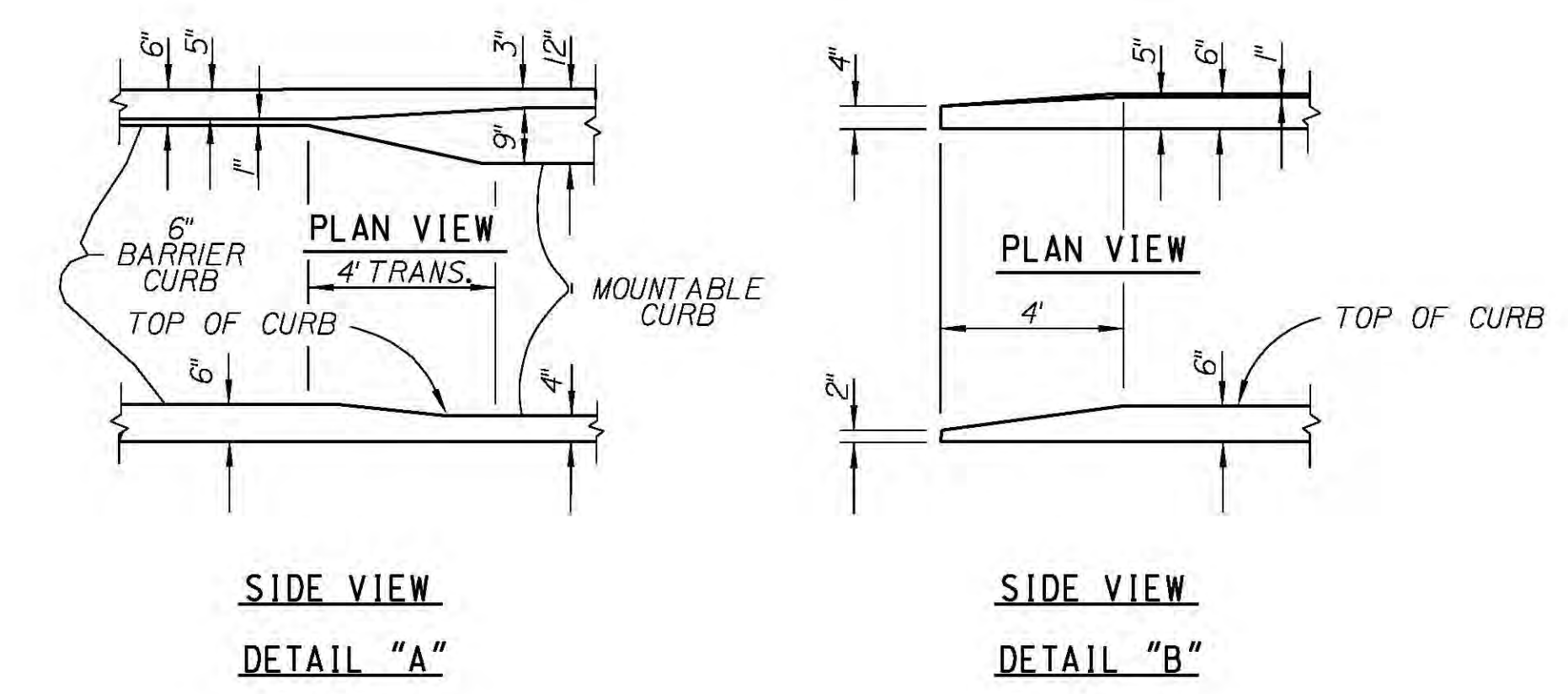


(BARRIER TYPE ONLY)

CONCRETE CURB

STEEL REINFORCEMENT NOT NECESSARY IF CONSTRUCTED MONOLITHICALLY WITH THE PAVEMENT

NOT TO SCALE



CURB TRANSITION DETAILS AT TURNOUTS & NOSES