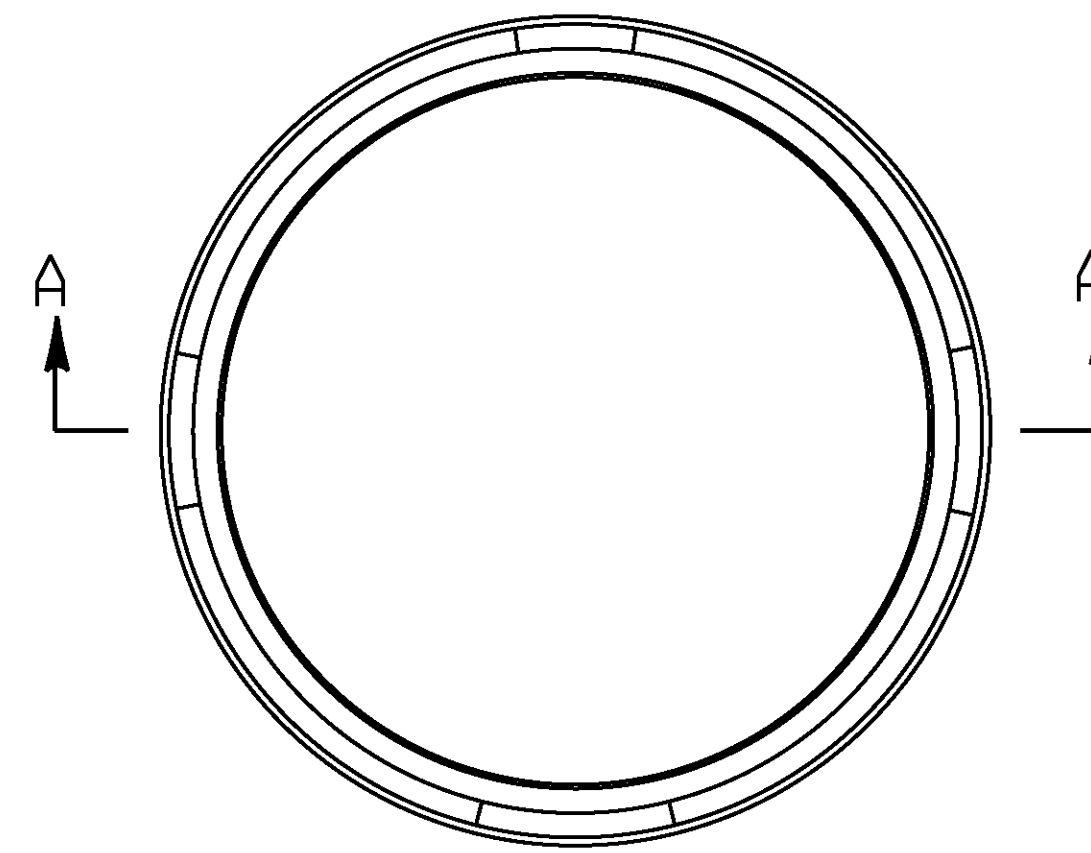
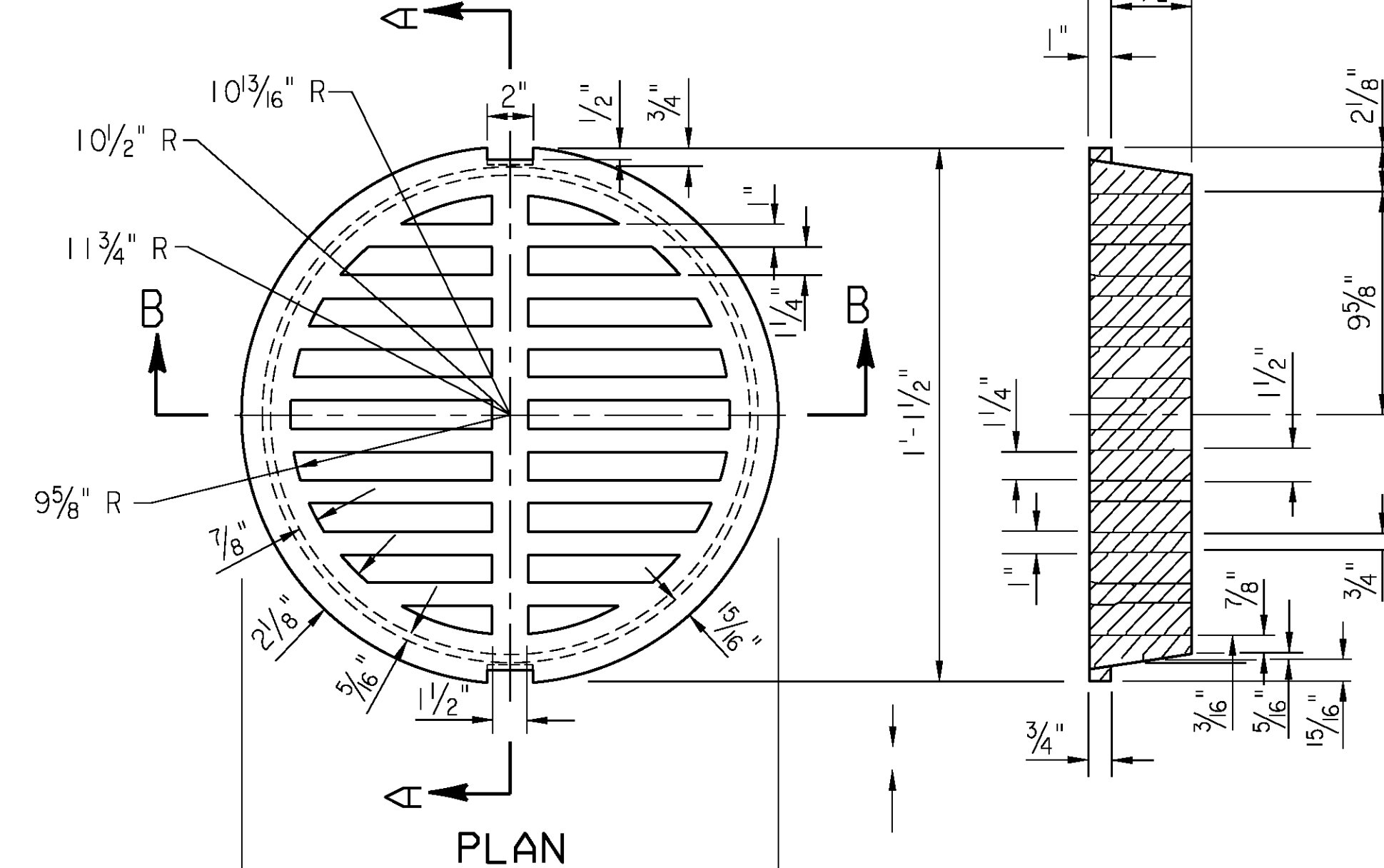


PLAN OF CAST IRON COVER



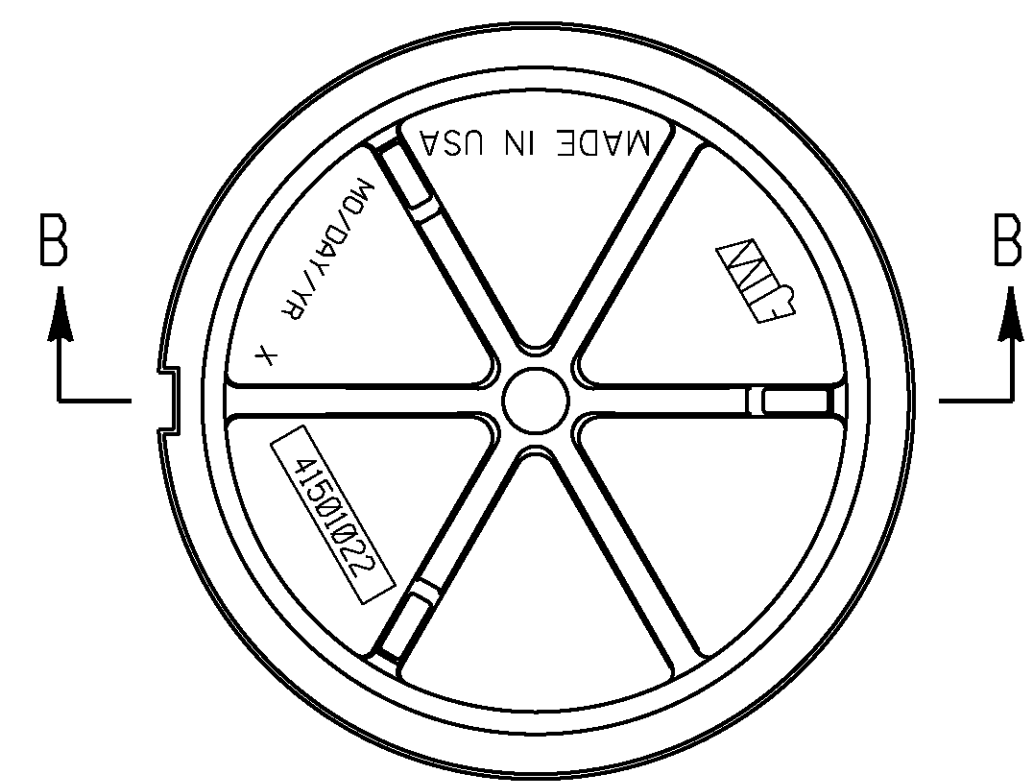
PLAN OF CAST IRON FRAME  
RING TOP VIEW



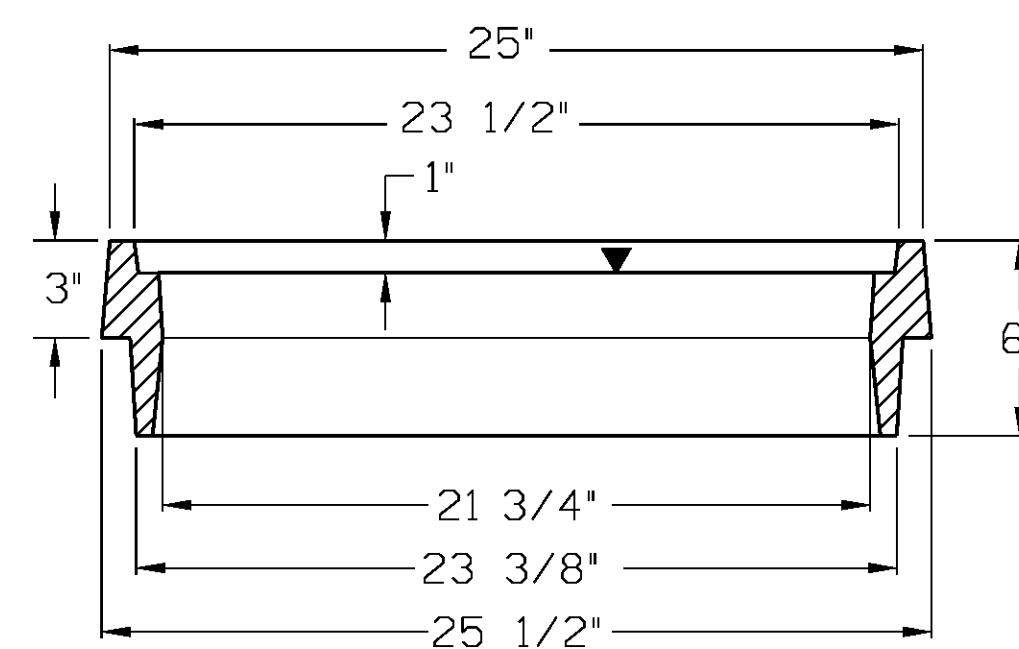
SECTION B-B

TYPE "K<sub>1</sub>"  
CAST IRON GRATE

- NOTES:  
1. APPROX. WEIGHT OF CAST IRON COVER = 250 LBS.  
2. TO BE USED WITH TYPE "K" CAST IRON FRAME

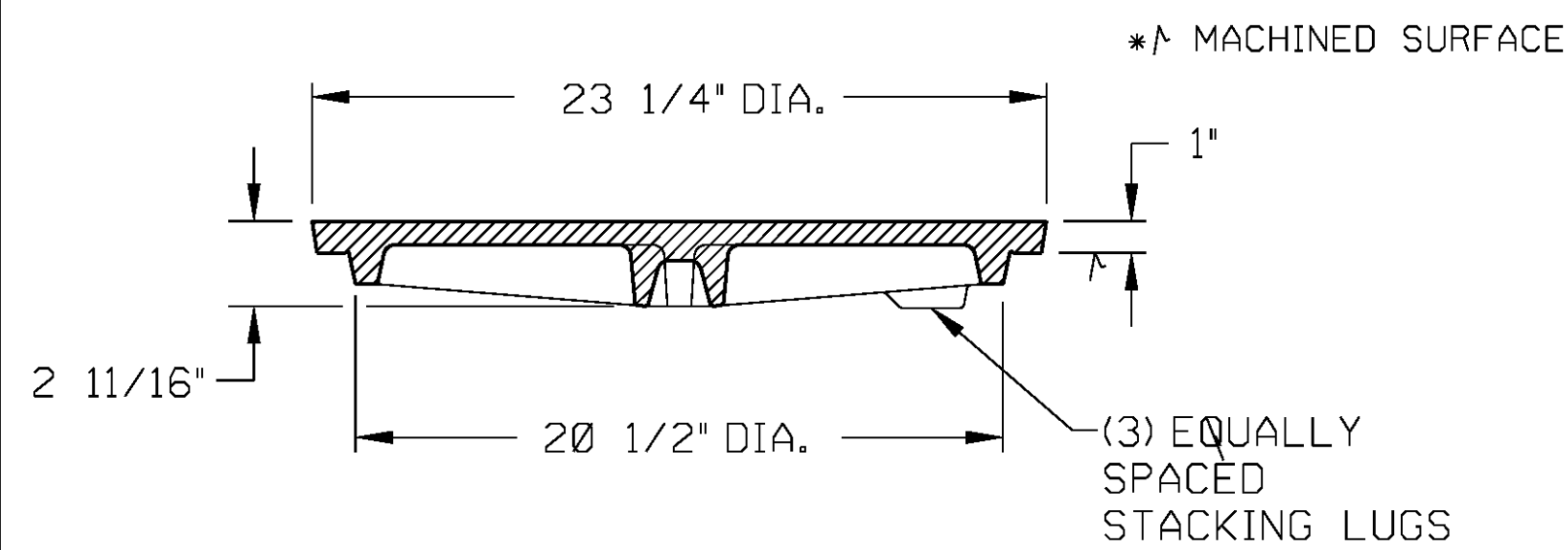


BOTTOM OF CAST IRON COVER

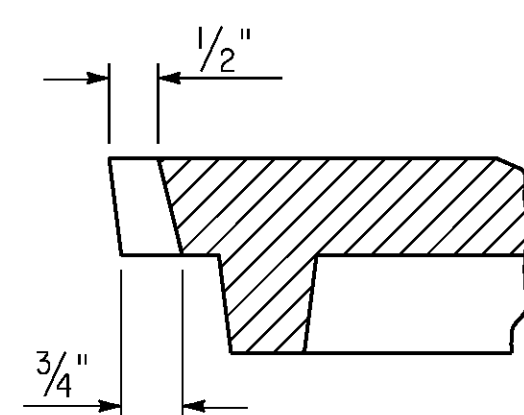


SECTION A-A

▼ MACHINED BEARING SURFACE



SECTION B-B



PICKSLOT DETAIL

TYPE "K"

DETAILS OF CAST IRON COVER & FRAME

- NOTES:  
1. APPROX. WEIGHT OF CAST IRON COVER = 115 LBS.  
2. APPROX. WEIGHT OF CAST IRON FRAME = 130 LBS.

NOTE: Details and Specs provided by Manufacturer  
DRAWING NOT TO SCALE