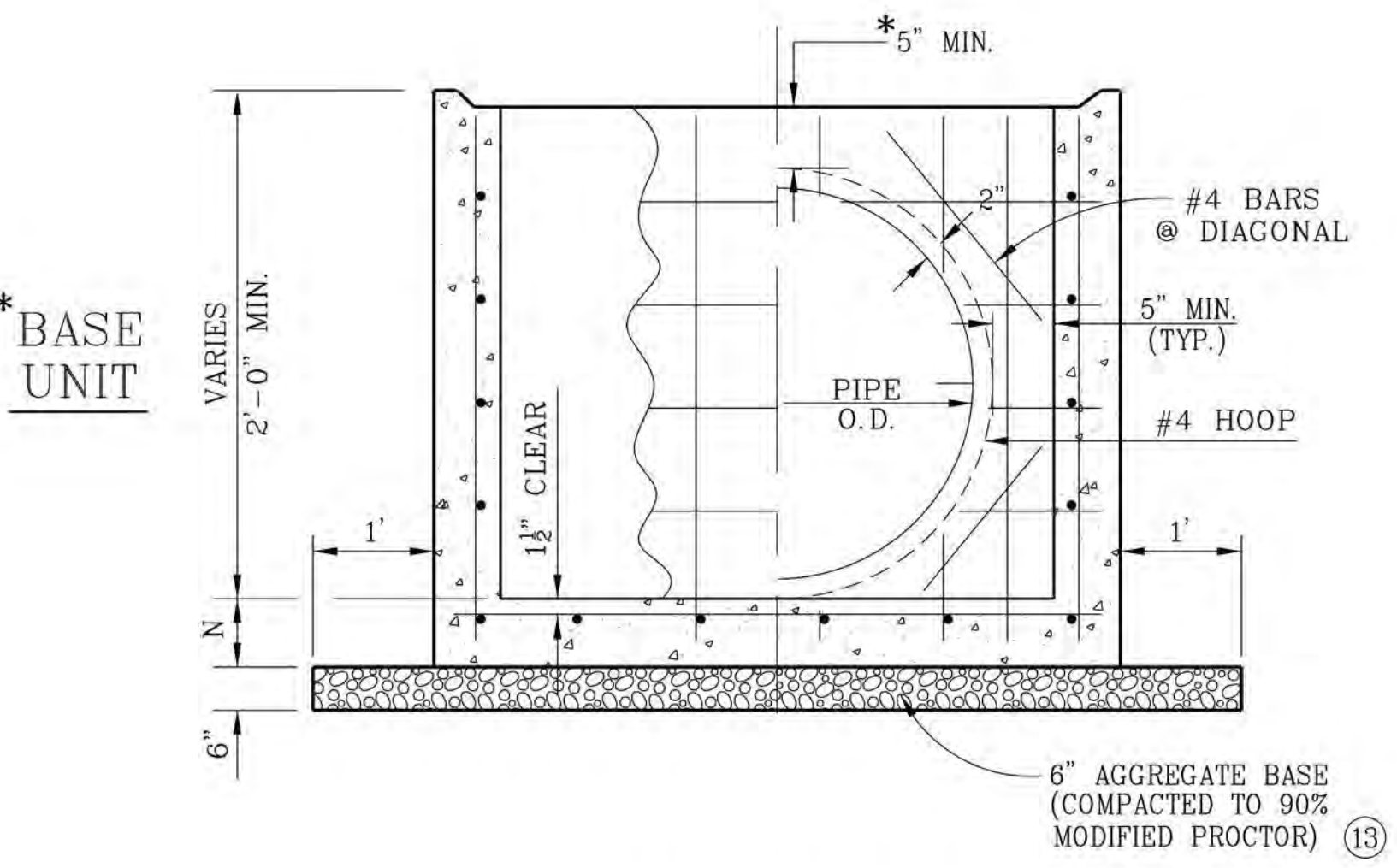
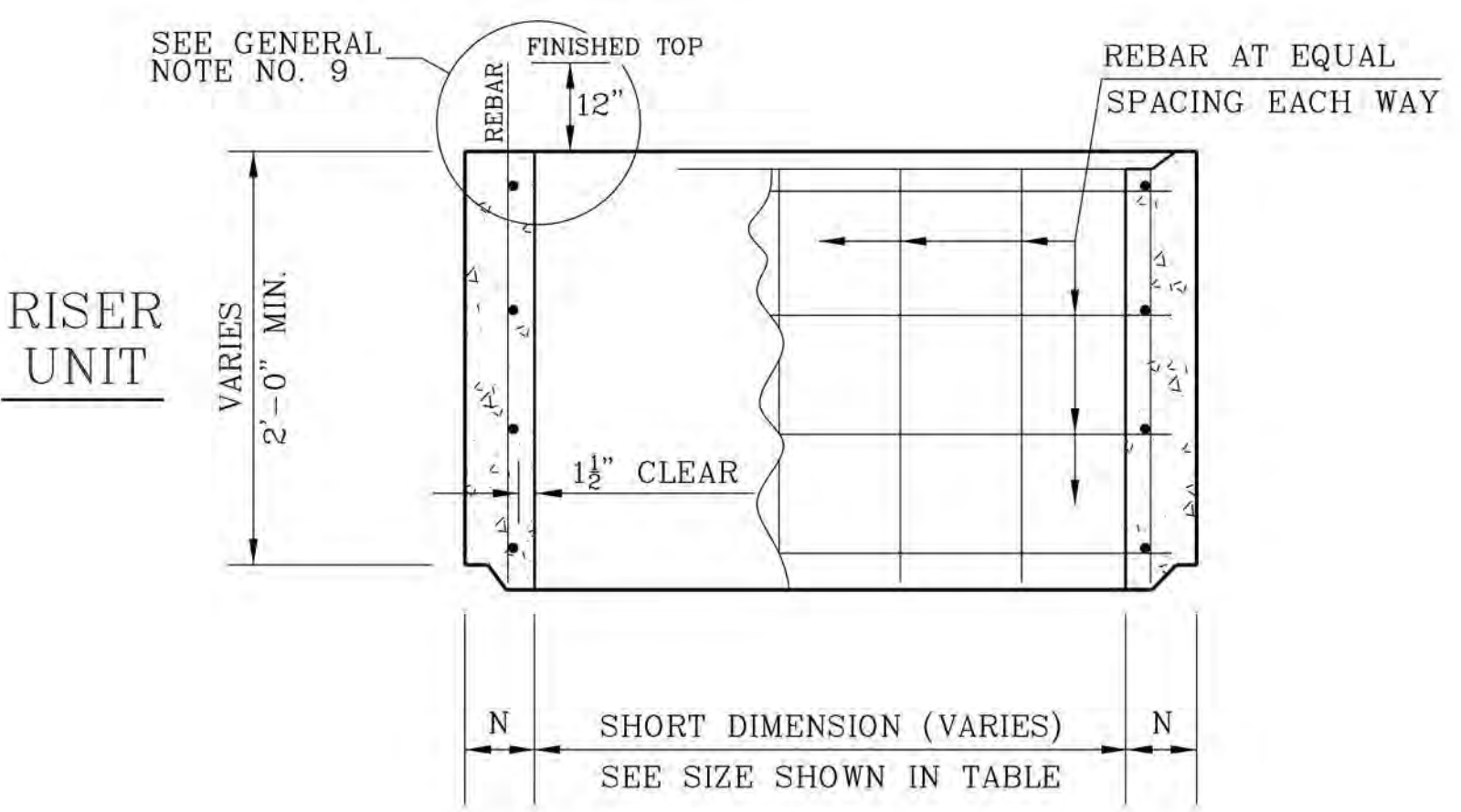


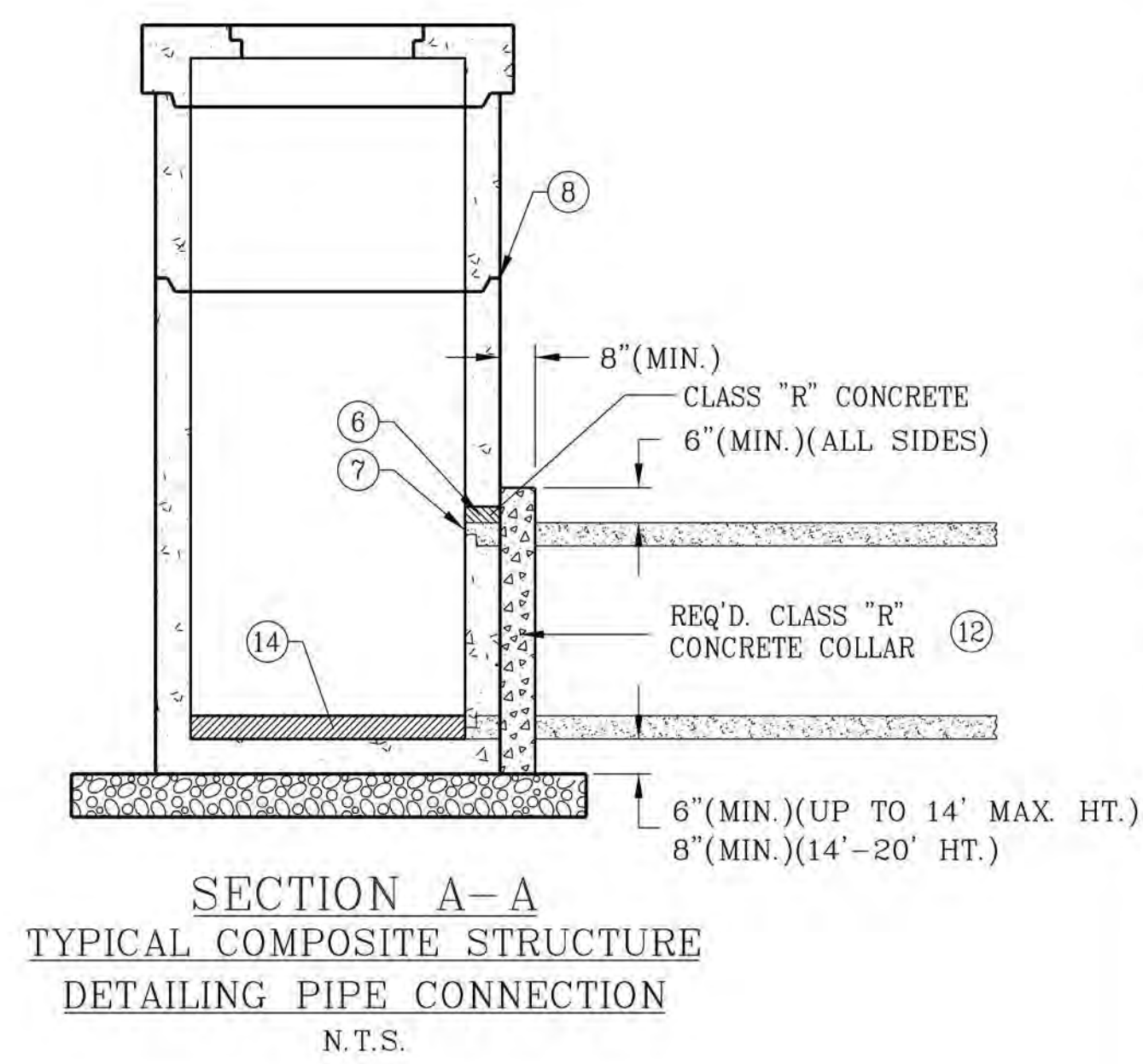
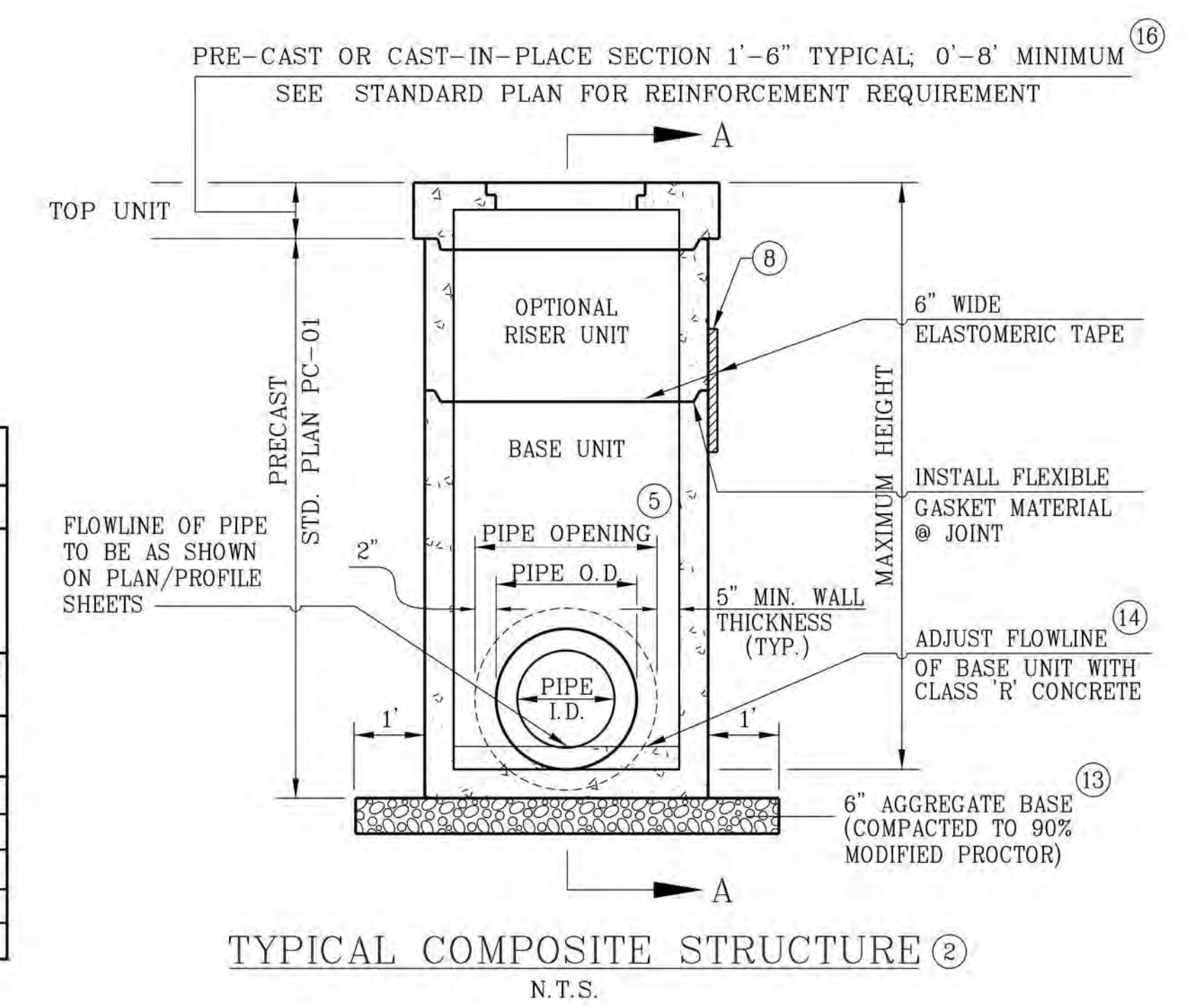
**PRECAST UNITS FOR CATCH BASINS & MANHOLES**

		4' MAX DIMENSION		6' MAX DIMENSION		8' MAX DIMENSION		10' MAX DIMENSION		
		TYPICAL SIZES		TYPICAL SIZES		TYPICAL SIZES		TYPICAL SIZES		
MAX HT.	N	BAR SIZE	SPACING*	As	BAR SIZE	SPACING*	As	BAR SIZE	SPACING*	As
Feet	Inches (MIN.)		Inches	in <sup>2</sup> /ft		Inches	in <sup>2</sup> /ft		Inches	in <sup>2</sup> /ft
8	6	4	12	0.20	4	8	0.30	4	5.5	0.44
14	6	4	9	0.27	4	6	0.40	5	5	0.74
20	6	4	7	0.34	4	4.5	0.53	5	4.0	0.93

⊙ OTHER SIZES ARE ACCEPTABLE AS LONG AS THE DIMENSIONS DO NOT EXCEED THE MAXIMUM DIMENSIONS.  
 \* BAR SPACING APPLIES TO BOTH DIRECTIONS AND AT ALL LOCATIONS.  
 Ⓜ BAR SIZES AND SPACING MAY DIFFER FROM VALUES SHOWN, BUT THE AREA OF STEEL (As) SHALL BE EQUAL TO OR GREATER THAN VALUE SHOWN, AND BAR SPACING SHALL NOT EXCEED 12 INCHES.  
**NOTE: WELDED WIRE FABRIC IS NOT APPROVED AS A SUBSTITUTE FOR STANDARD REINFORCEMENT BARS.**



\* FOR PRE-CAST DRAINAGE STRUCTURES UTILIZING 48" STORM DRAINAGE PIPE AND SMALLER. LARGER PIPE DIAMETERS DO NOT REQUIRE THE MINIMUM 5" SECTION.  
 \*\* BASE UNIT MUST BE ONE UNIT FOR PIPE SIZES 48" AND SMALLER.



- GENERAL NOTES** ①
- 1) PRECAST UNITS SHALL BE CAST MONOLITHICALLY.
  - 2) THESE PRECAST UNITS ARE TO BE USED AS THE LOWER PORTION OF A COMPOSITE STRUCTURE. THE CAST-IN-PLACE FINISHING DETAILS ARE SHOWN ON OTHER STANDARD PLANS.
  - 3) CONCRETE SHALL BE CLASS "M<sup>3</sup>" (4500psi) AND SHALL ATTAIN A MINIMUM COMPRESSION STRENGTH OF 4000 PSI BEFORE ACCEPTANCE & SHIPPING OF UNITS. REINFORCING STEEL TO BE GRADE 60.
  - 4) PIPE OPENING TO BE FORMED FOR CIRCULAR OR ARCH PIPE.
  - 5) PIPE OPENING TO BE O.D. OF PIPE + 4" ± 1/2".
  - 6) PIPE TO BE GROUTED IN AFTER INSTALLATION OF CONCRETE COLLAR CAST WITH A NON-SHRINK GROUT LISTED ON THE LA-DOTD AML.
  - 7) ALL PIPES TO BE CUT FLUSH WITH INSIDE OF DRAINAGE INLET.
  - 8) JOINTS BETWEEN PRECAST UNITS TO BE SEALED WITH FLEXIBLE PLASTIC GASKET MATERIAL AND WRAPPED WITH A 6" WIDE ELASTOMERIC TAPE. (SEE LA-DOTD AML).
  - 9) JOINT BETWEEN CAST-IN-PLACE SECTION AND PRECAST UNIT TO BE TONGUE AND GROOVE AND SEALED WITH TYPE II GRADE A EPOXY (SEE LA-DOTD AML) OR FLAT JOINT WITH A MINIMUM OF 12" OF NO. 4 BARS AT 12" CTRS. (MAX) EXTENDED ABOVE THE JOINT.
  - 10) CONTRACTOR TO SUBMIT SHOP DRAWINGS AND RECEIVE APPROVAL FROM PROJECT ENGINEER PRIOR TO UTILIZING A PRECAST CONCRETE STRUCTURE.
  - 11) IN THE EVENT A PRECAST DRAINAGE STRUCTURE WILL NOT BE ABLE TO BE UTILIZED AT A SPECIFIC LOCATION DUE TO EITHER A UTILITY CONFLICT, FIELD CHANGE BROUGHT ABOUT BY AN UNFORESEEN CONDITION OR A CHANGE IN GRADE OF THE STORM DRAINAGE DUE TO AN UNFORESEEN CONDITION, AND THE PRECAST DRAINAGE STRUCTURE HAS BEEN FABRICATED PRIOR TO THE DISCOVERY OF EITHER THE CONFLICT OR FIELD CHANGE, MINOR MODIFICATIONS TO THE PRECAST STRUCTURE MAY BE ALLOWED TO ACCOMMODATE THE CHANGE/CONFLICT UPON RECEIVING WRITTEN APPROVAL FROM THE ENGINEER, WITH NO ADDITIONAL COMPENSATION. SHOULD THE CONFLICT OR FIELD CHANGE REQUIRE MAJOR MODIFICATIONS AS DETERMINED BY THE ENGINEER, THE CONTRACTOR SHALL REPLACE THE PRECAST STRUCTURE WITH A CAST-IN-PLACE STRUCTURE AND SHALL BE COMPENSATED FOR THE PRECAST STRUCTURE AT THE MANUFACTURED COST ONLY. NO ADDITIONAL COMPENSATION SHALL BE ALLOWED. THE PRE-CAST UNIT SHALL THEN BECOME THE PROPERTY OF LCG. THE CONTRACTOR WILL BE REQUIRED TO LOAD THE PRE-CAST STRUCTURE ONTO AN LCG VEHICLE AT NO ADDITIONAL COST.
  - 12) CONCRETE COLLAR TO BE PROVIDED AT NO DIRECT PAY. THE COST OF THE CONCRETE COLLAR IS TO BE INCLUDED IN THE COST OF THE PRECAST DRAINAGE STRUCTURE.
  - 13) 6" AGGREGATE BASE TO BE PROVIDED IF REQUIRED BY OWNER/ENGINEER. THE COST OF THE AGGREGATE BASE SHALL BE PAID FOR AS BEDDING MATERIAL. AGGREGATE SHALL CONFORM TO THE REQUIREMENTS FOR BEDDING MATERIAL UNDER SECTION 726 OF THE LAFAYETTE CONSOLIDATED GOVERNMENT STANDARD SPECIFICATIONS.
  - 14) CLASS "R" CONCRETE USED TO ADJUST FLOWLINE OF THE BASE UNIT IS TO BE INCLUDED IN THE COST OF THE DRAINAGE STRUCTURE.
  - 15) ALL PRECAST UNITS MUST BE FABRICATED BY A MFG. APPROVED AND LISTED ON THE LA-DOTD APPROVED MATERIALS LIST (AML).
  - 16) THE ELEVATIONS PROVIDED ON PLAN/PROFILE SHEETS ARE ESTIMATED AND ARE FOR ESTIMATING PURPOSES ONLY. FINAL GRADE SHALL BE DETERMINED BY THE CONTRACTOR AND APPROVED BY THE ENGINEER AND/OR L.C.G.. ANY ADJUSTMENTS REQUIRED WILL BE AT NO ADDITIONAL COST TO L.C.G..

PRE-CAST CATCH BASIN AND MANHOLE  
 TO BE USED IN COMBINATION WITH  
 GRATES, FRAMES & COVERS DETAILS  
 1 OF 1  
 PC-01