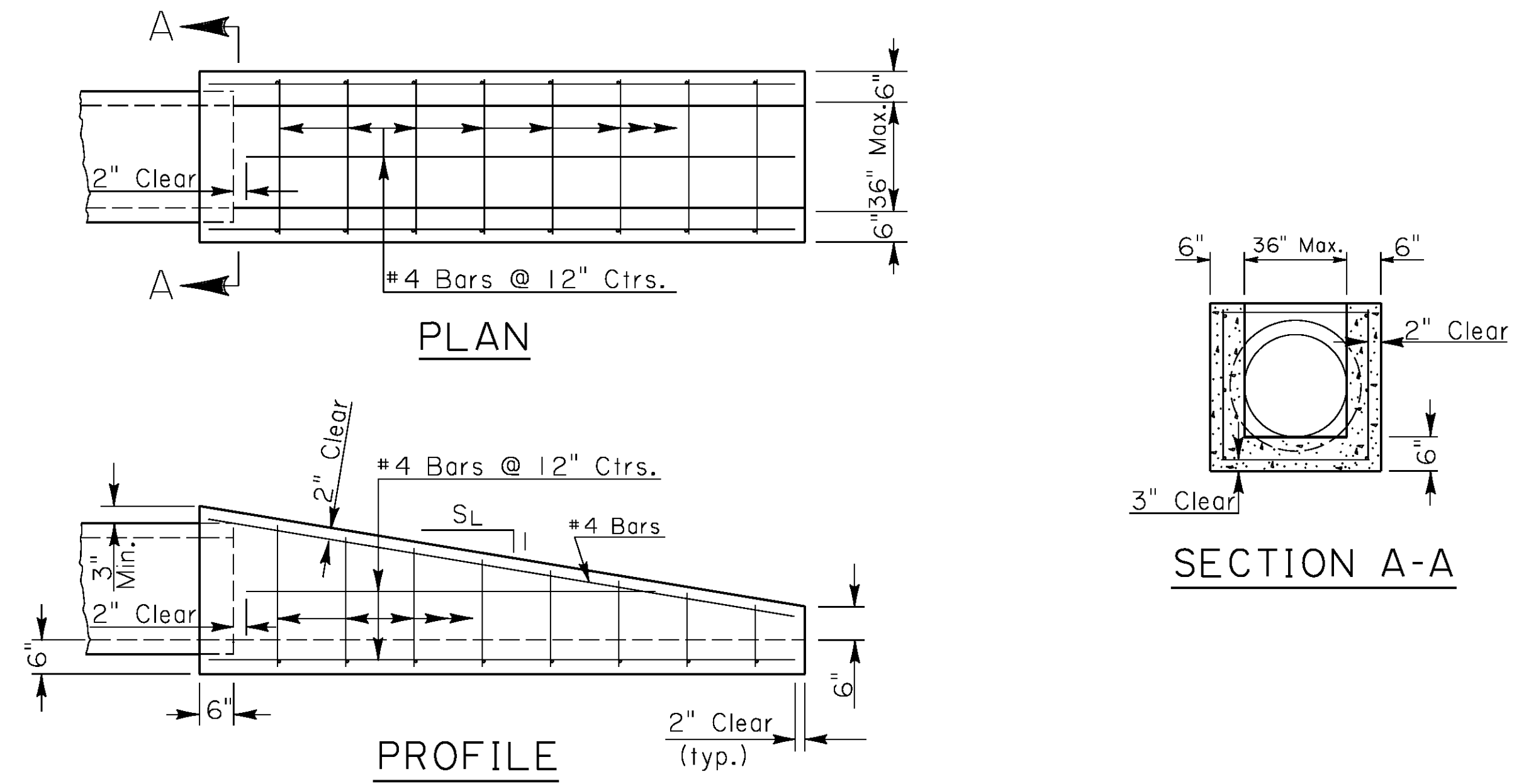
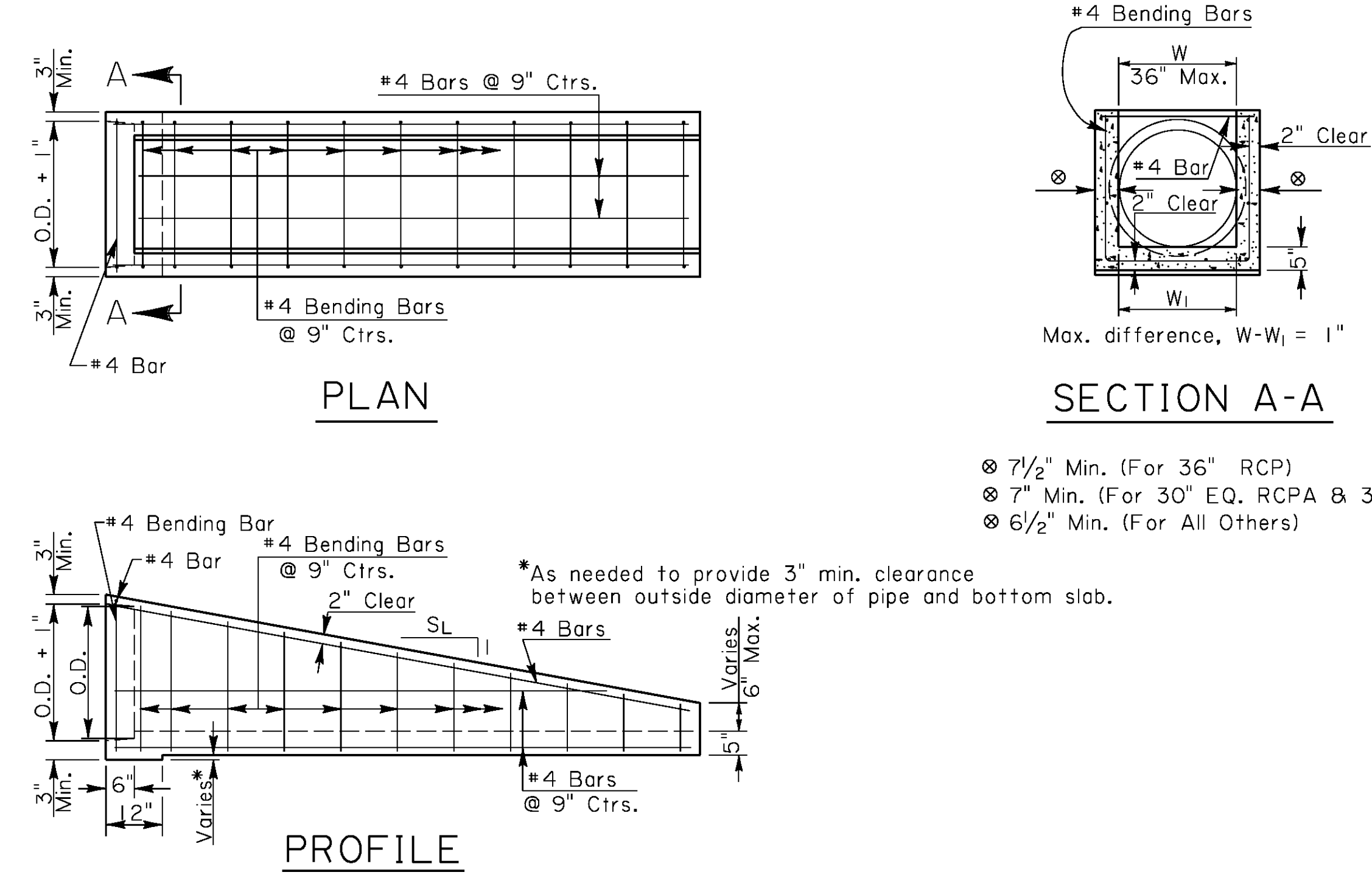


CAST-IN-PLACE ALTERNATE



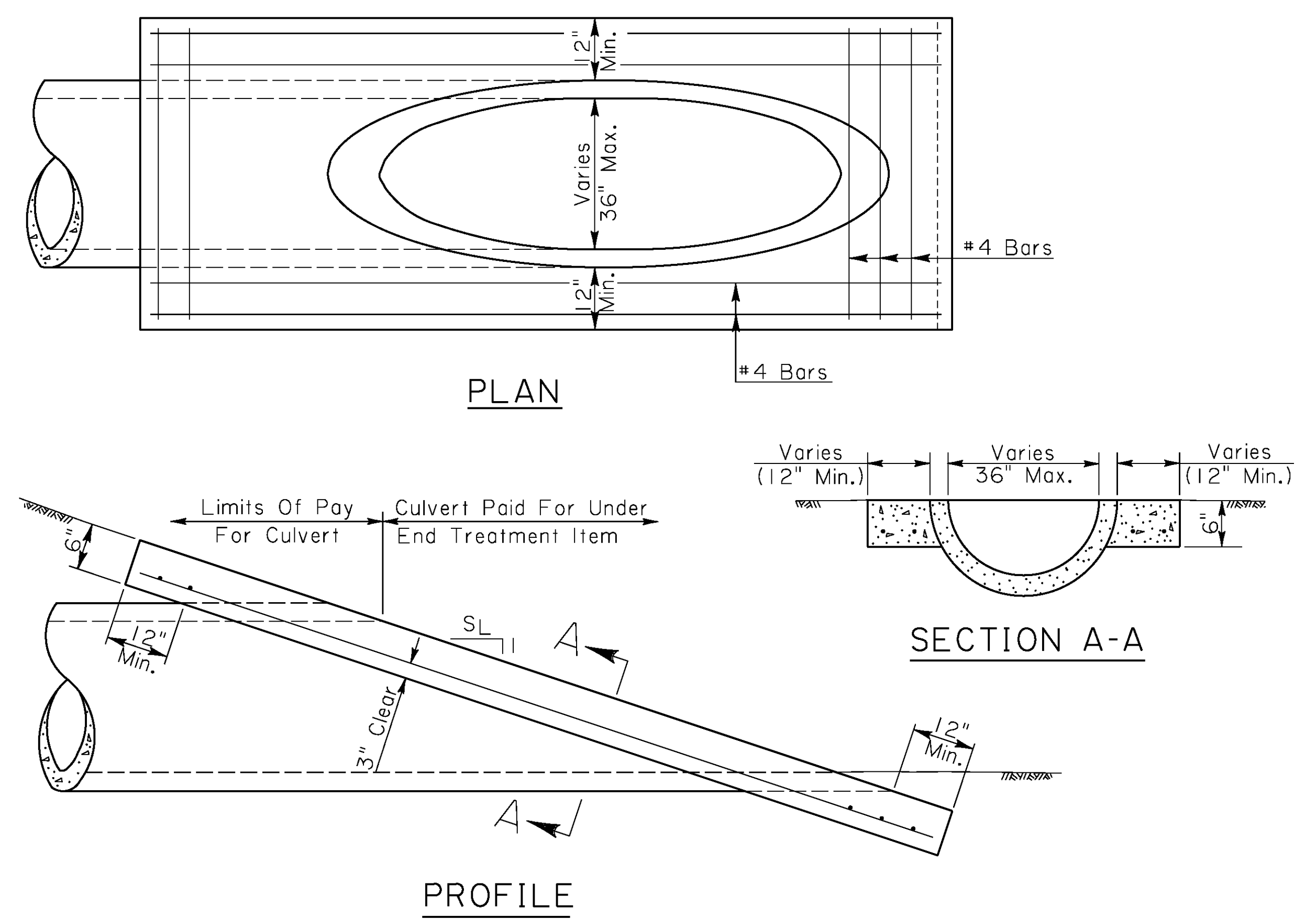
PRECAST ALTERNATE

- Notes:
1. Concrete to be 4000 psi & reinforcing steel to be Grade 60.
 2. Pipe connections shall be sealed with flexible gasket material.
 3. An 8" Concrete Collar is required at the connection between the Safety End Treatment and the RCP.



- ⊗ 7/2" Min. (For 36" RCP)
- ⊗ 7" Min. (For 30" EQ. RCPA & 30" RCP)
- ⊗ 6 1/2" Min. (For All Others)

MITERED PIPE ALTERNATE



- Notes:
1. Mitered Pipe Alternate shall be fabricated from pipe. Cut edge of pipe to be hand finished or cast into concrete slope.

- General Notes: (Cast-In-Place, Precast & Mitered Pipe Alternate)
- 1) While a RCP culvert is detailed, this Safety End shall also be used with RCPA, ACMP, ACMPA, PVC and RCB culverts. Multiple culverts require multiple Safety Ends.
 - 2) Slope of Safety End walls (S :1) shall match the required sideslope. If no sideslope is given, a slope of 4:1 shall be required.
 - 3) The Safety End shall be cast-in-place or precast concrete units and shall be in accordance with Section 702 of the Lafayette Consolidated Government Standard Specifications.
 - 4) RCP bell ends which exceed the normal pipe outside diameter (O.D.) shall be removed.
 - 5) Exposed corners shall be chamfered 3/4".