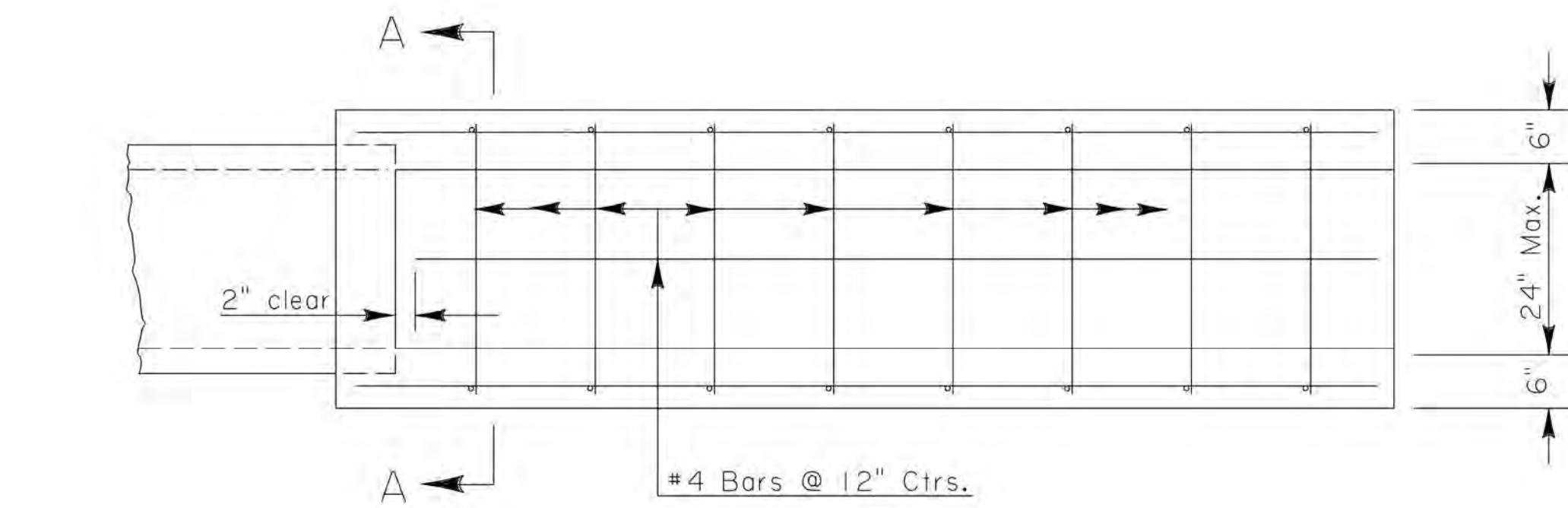
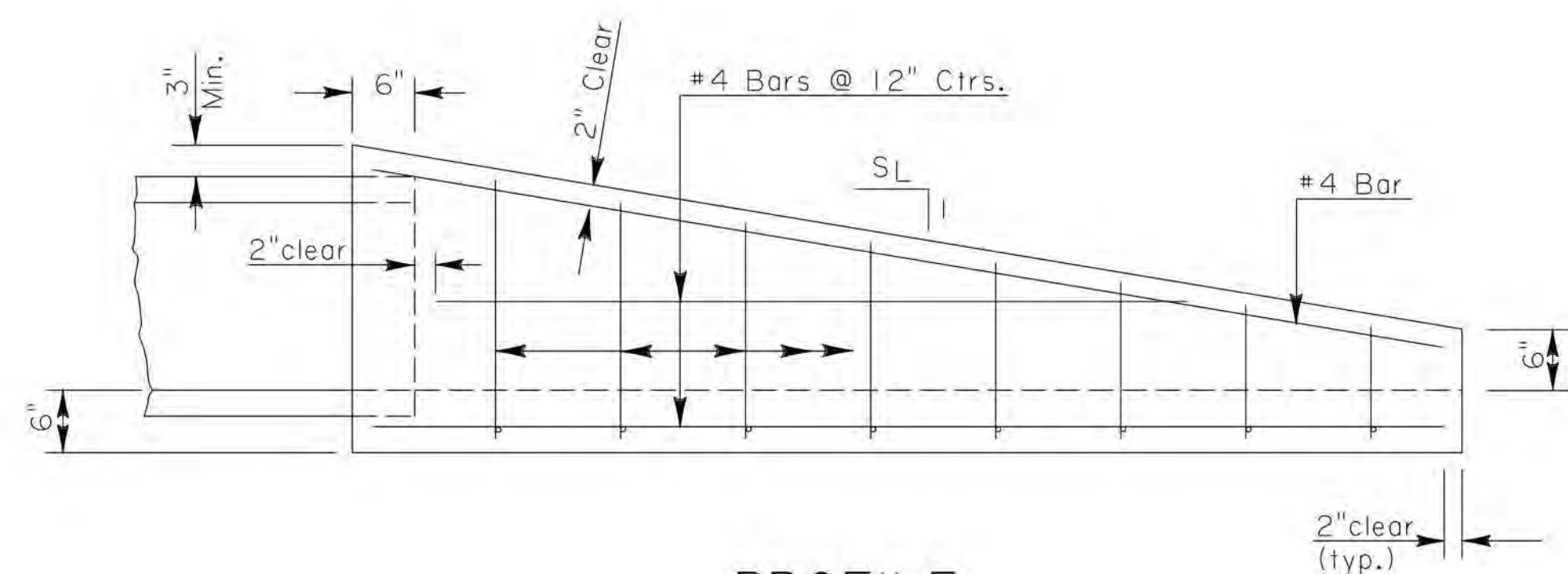


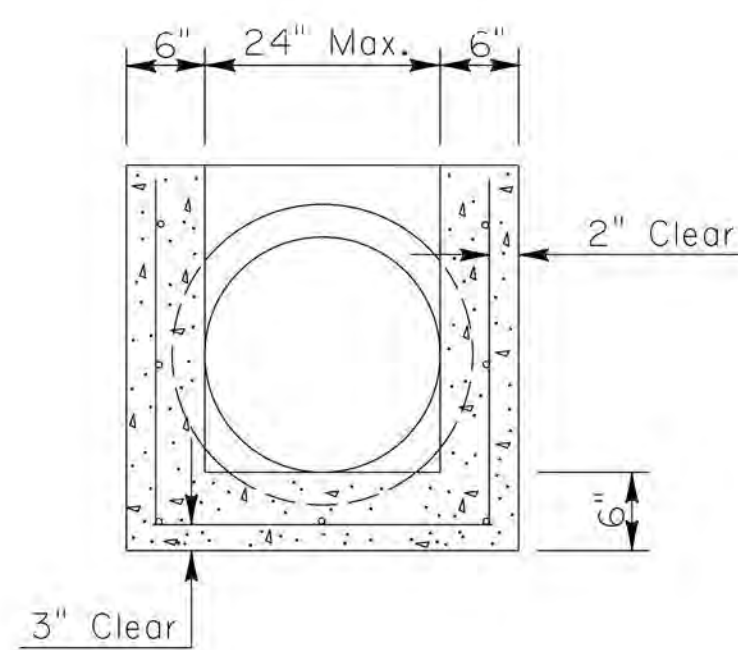
# CAST-IN-PLACE ALTERNATE



PLAN



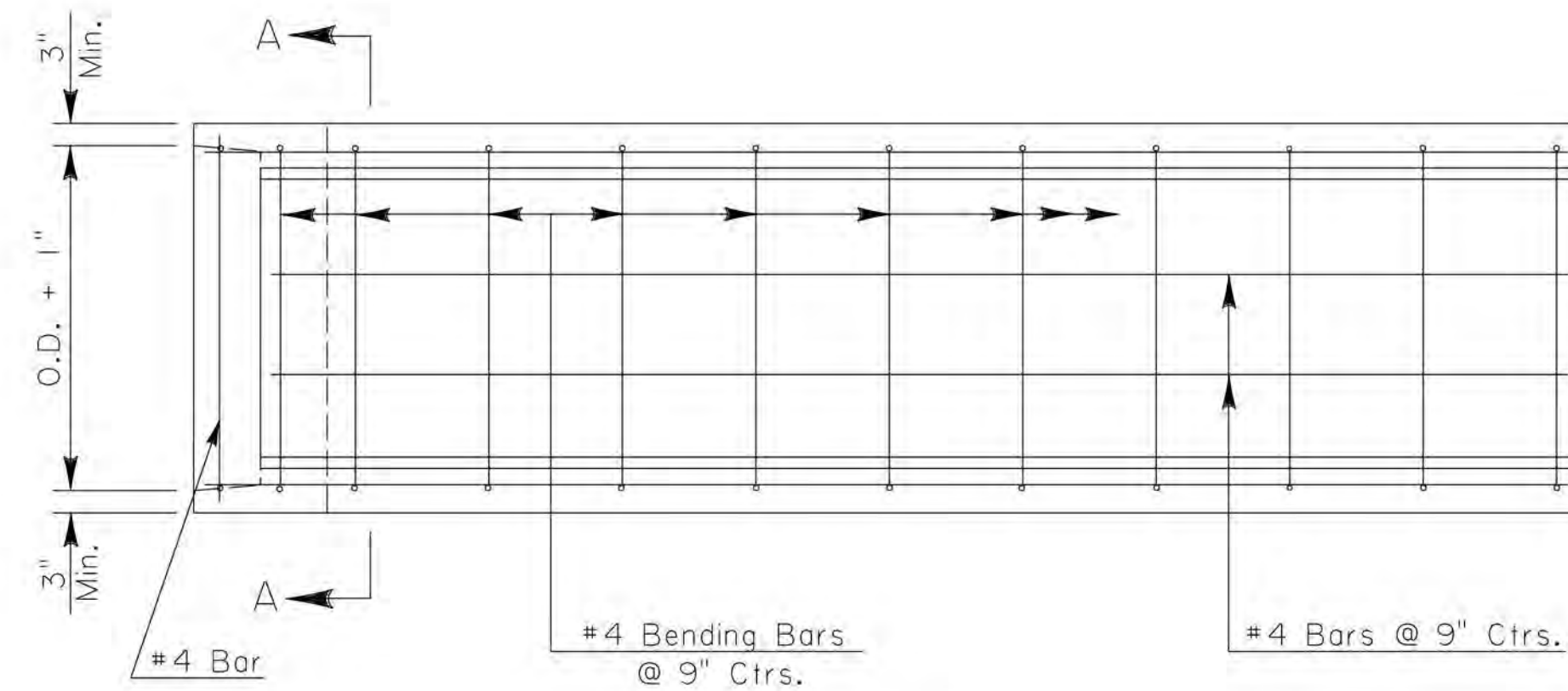
PROFILE



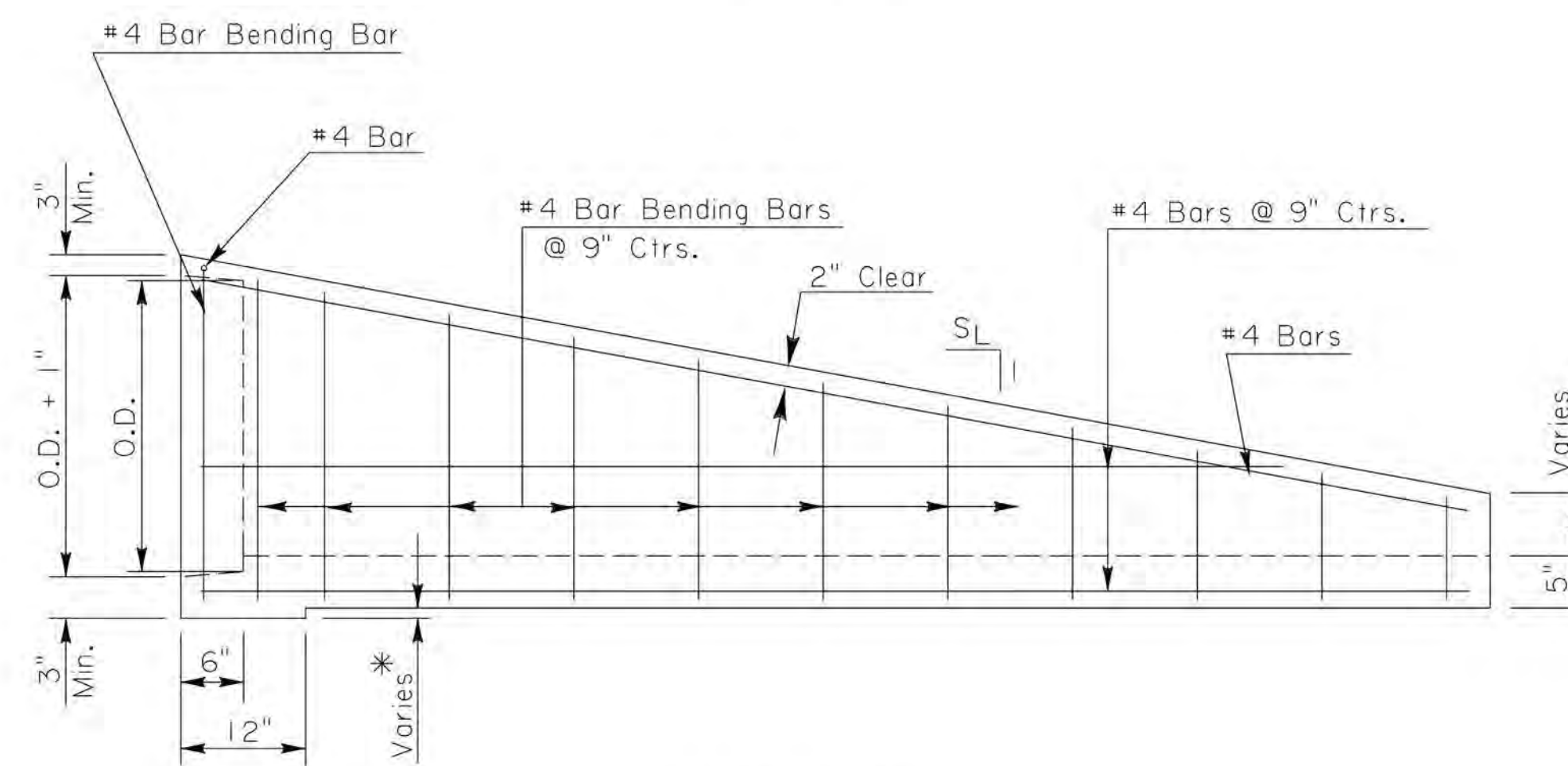
SECTION A-A

# PRECAST ALTERNATE

- Notes:
1. Concrete to be 4000 psi & reinforcing steel to be Grade 60.
  2. An 8" Concrete Collar is required at the connection between the Safety End and the RCP.
  3. Pipe connections shall be sealed with flexible gasket material.

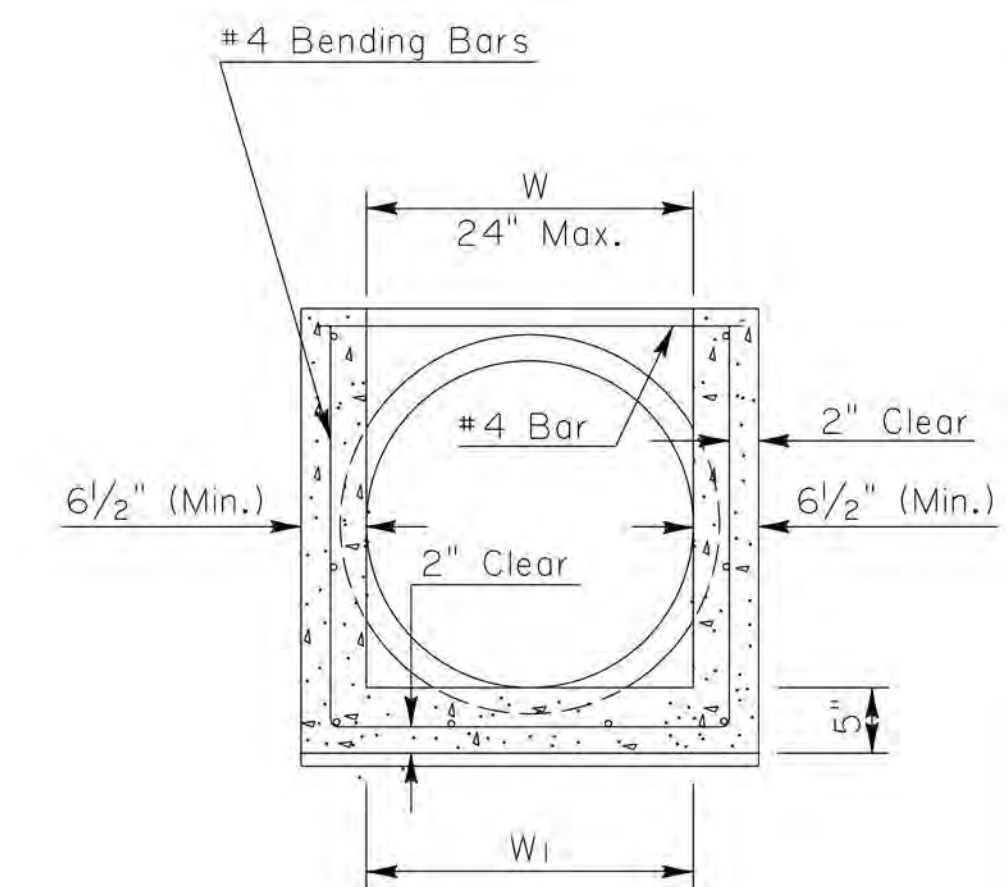


PLAN



PROFILE

\*As needed to provide 3" min. clearance between outside diameter of pipe and bottom slab.



Max. difference,  $W - W_1 = 1"$   
SECTION A-A

General Notes: (Cast-In-Place & Precast Alternate)

- 1) While a RCP culvert is detailed, this Safety End shall also be used with RCPA, CAP, CAPA, PVC and RCB culverts. Multiple culverts require multiple Safety Ends.
- 2) Slope of Safety End walls (S:L) shall match the required sideslope. If no sideslope is given, a slope of 6:1 shall be required.
- 3) The Safety End shall be cast-in-place or precast concrete units and shall be in accordance with Section 702 of the Lafayette Consolidated Government 2016 Standard Specifications.
- 4) RCP bell ends which exceed the normal pipe outside diameter (O.D.) shall be removed.
- 5) Exposed corners shall be chamfered  $\frac{3}{4}"$ .