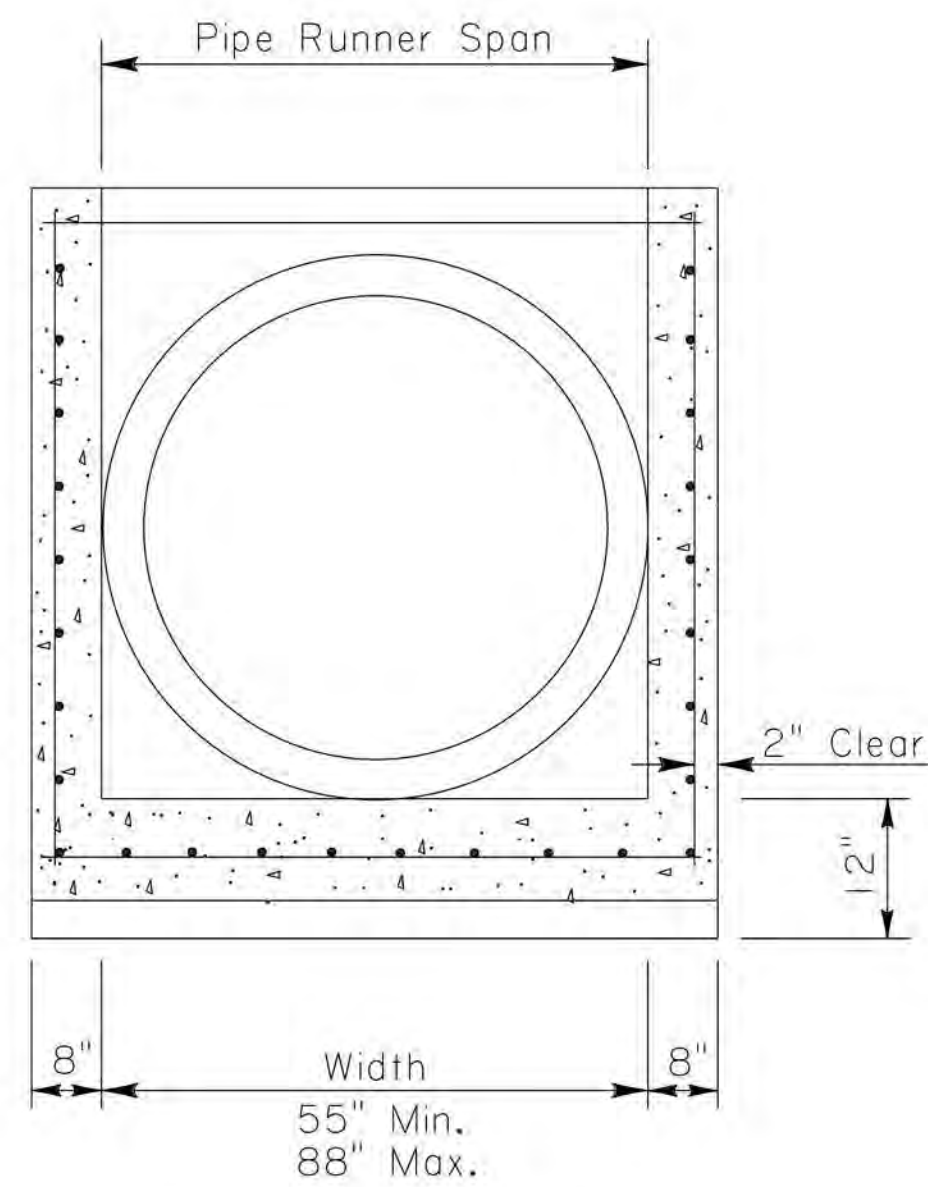
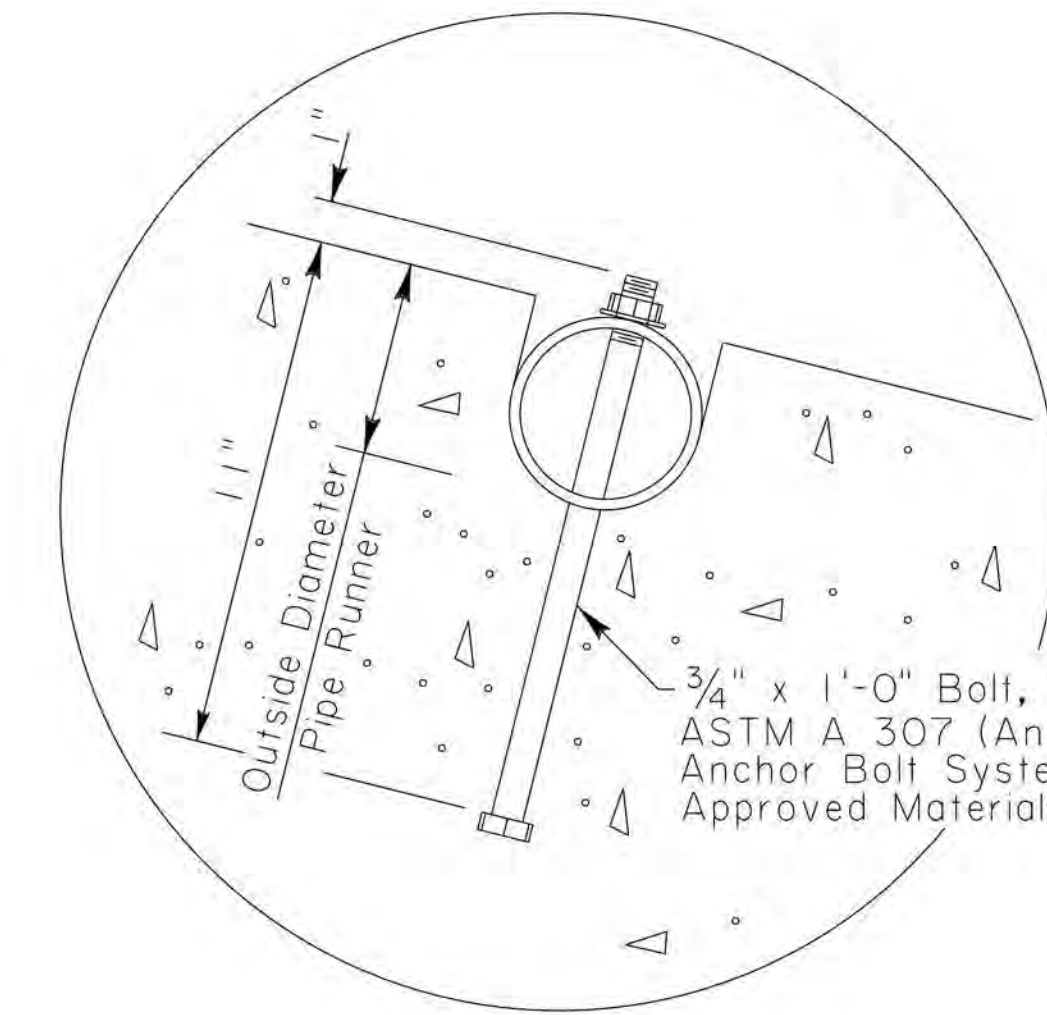


PLAN



SECTION B-B



INSET "A"

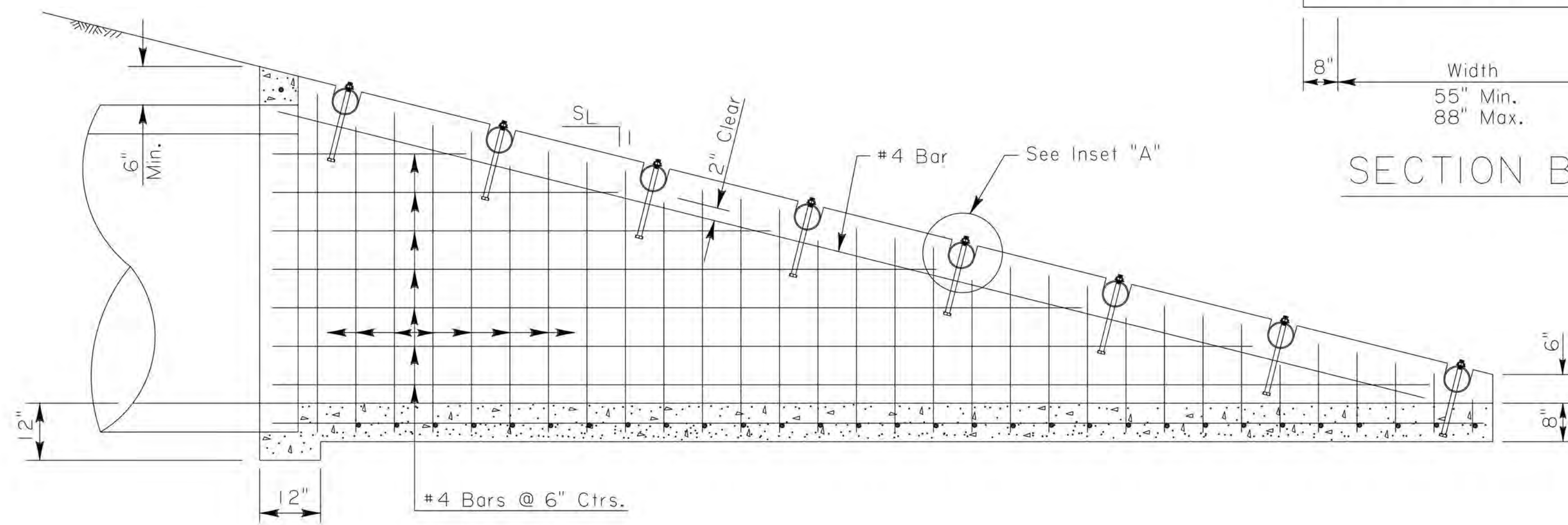
General Notes:

- 1) While a RCP culvert is detailed, this Safety End shall also be used with RCPC, CAP, CAPA, and RCB culverts. Multiple culverts will require multiple Safety Ends.
- 2) Slope of Safety End walls ( $S_L:1$ ) shall match the required sideslope. If no sideslope is given, a slope of 6:1 shall be required.
- 3) Pipe Runners shall be galvanized steel pipe conforming to ASTM A53, Type E or S, Grade B, 35ksi; or ASTM A501, 36ksi. Required Pipe Runner diameters and strengths for various maximum spans are:

Nominal Diameter	Strength/Schedule	Maximum* Span	Outside Diameter	Wall Thickness	Weight Per Foot
3"	Std/40	11'-2"	3.5"	0.216"	7.58 lbs

\* Pipe Runners are designed for a traversing load of 1800 pounds at yield.

- 4) Side Drain Safety Ends may be provided as cast-in-place or precast, and shall be in accordance with Section 702 of the Lafayette Consolidated Government 2016 Standard Specifications.
- 5) RCP bell ends which exceed the normal pipe outside diameter (O.D.) shall be removed.
- 6) Exposed corners shall be chamfered  $\frac{3}{4}$ ".



SECTION A-A