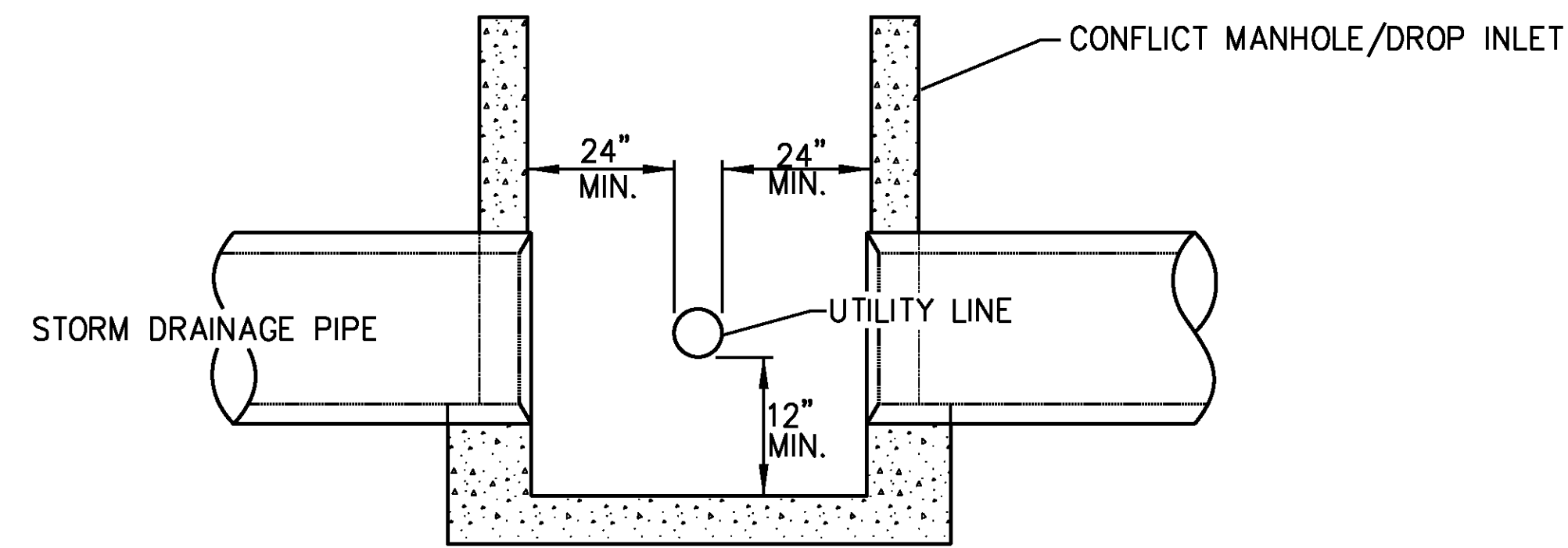
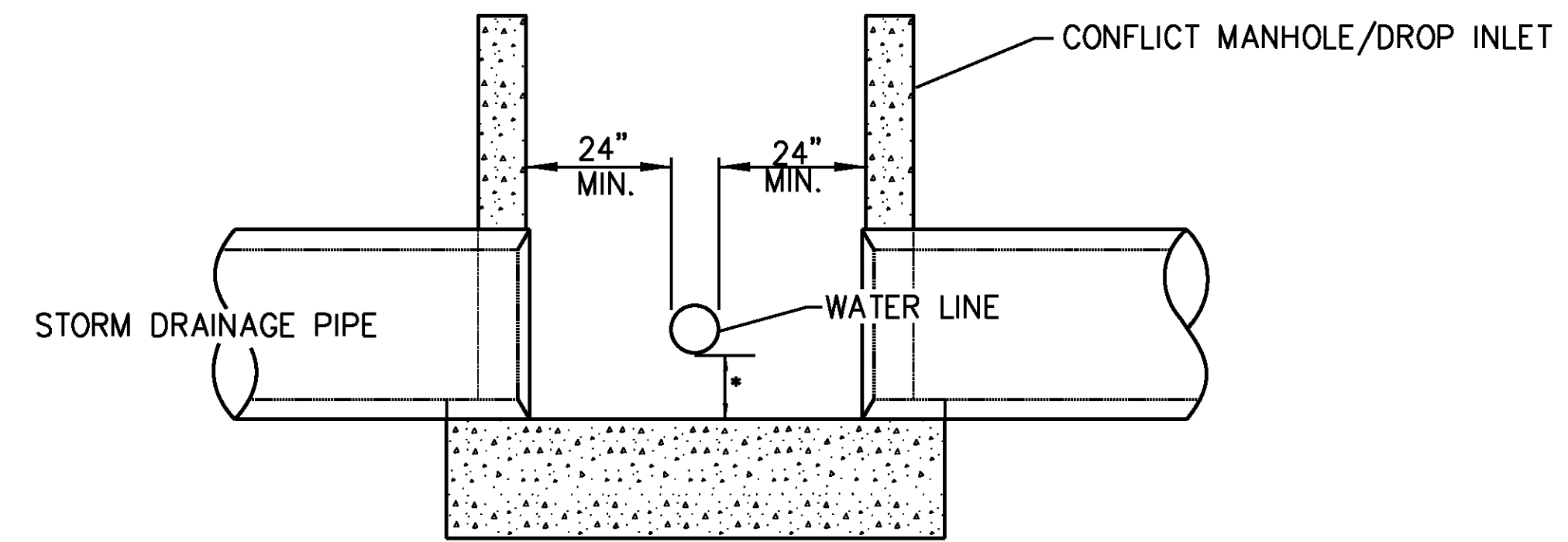


CASE 1 – SANITARY SEWER CONFLICT



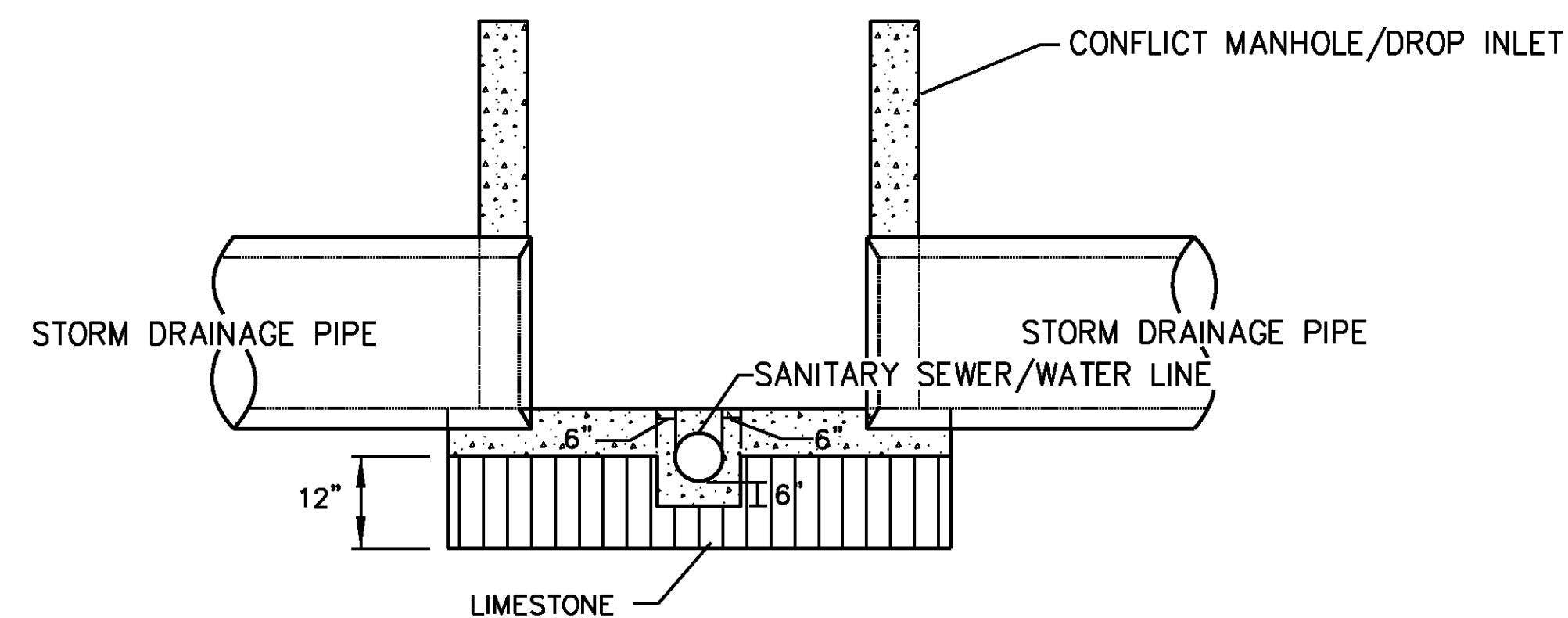
REPLACE 12' OF SANITARY SEWER LINE WITH DUCTILE IRON PIPE AND CONNECTION.
A MINIMUM CLEARANCE OF 24" FROM ALL MANHOLE WALLS IS REQUIRED.

CASE 2 – UTILITY CONFLICT (EXCEPT SANITARY SEWER)



REPLACE 12' OF UTILITY LINE WITH DUCTILE IRON PIPE AND CONNECTION.
* 12" MIN. OR 2/3 I.D. PIPE, WHICHEVER IS GREATER.

CASE 3 – SANITARY SEWER OR WATERLINE CONFLICT



A SANITARY SEWER OR WATER LINE MAY BE ALLOWED TO PASS THROUGH THE BOTTOM SLAB OF A MANHOLE OR CATCH BASIN, BUT IT MUST BE REPLACED WITH 12' OF DUCTILE IRON PIPE AND SUFFICIENT CONCRETE SHALL BE ADDED SO AS TO PROVIDE A 6" MINIMUM COVER AROUND THE SANITARY SEWER/WATER LINE.

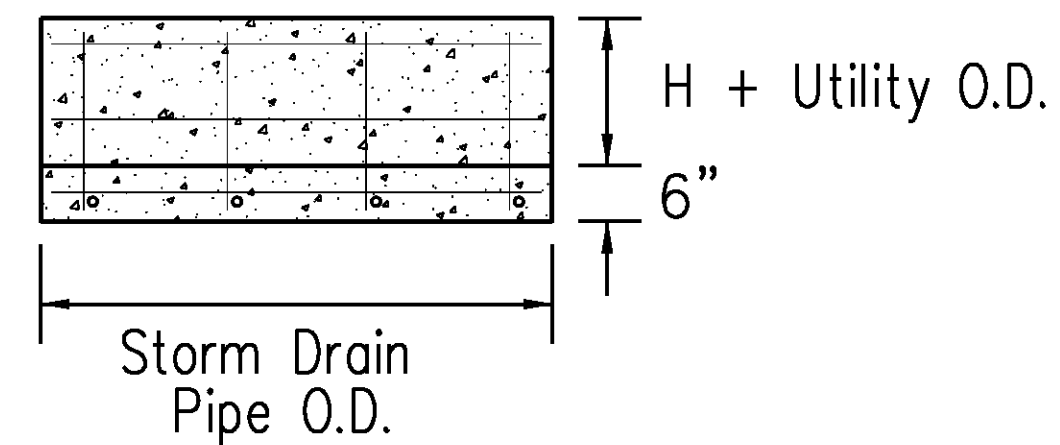
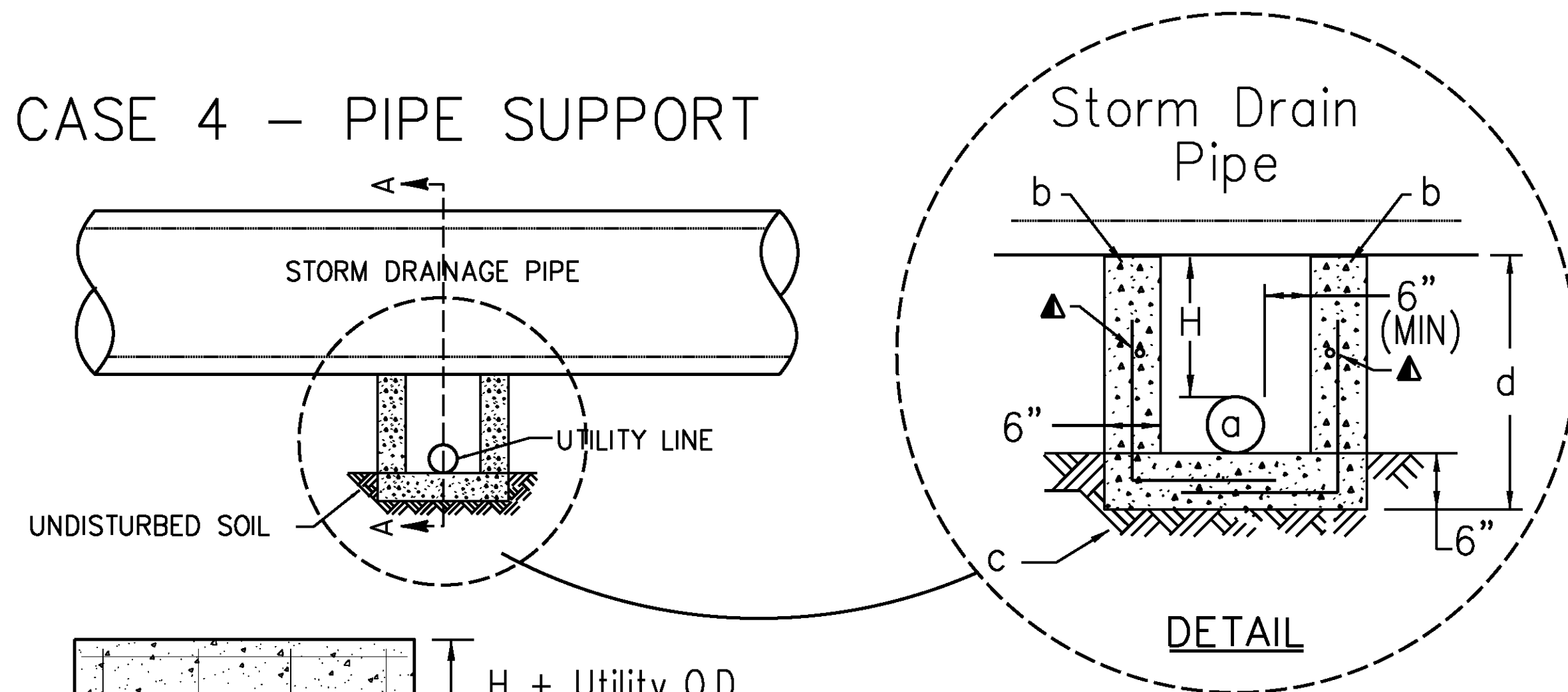
NOTES

COST OF CONFLICT MANHOLE/DROP INLET TYPE AS SPECIFIED ON THE PLANS SHALL INCLUDE ALL CONCRETE SUPPORTS, LIMESTONE, REPLACEMENT OF UTILITY LINES AND CONNECTIONS, ALL LABOR, MATERIALS, EQUIPMENT, TOOLS, AND INCIDENTALS TO COMPLETE THE WORK.

FOR CONFLICT MANHOLE/DROP INLET TYPE AS SPECIFIED ON THE PLANS. SEE DETAIL SHEET ___ OF ___

CONFLICT MANHOLE/DROP INLET SHALL BE CAST-IN-PLACE ONLY.

CASE 4 – PIPE SUPPORT



SECTION A-A

TYPICAL PIPE SUPPORT UTILITY LINE CROSSINGS

NOT TO SCALE

IF H IS EQUAL OR LESS THAN 3" A CONFLICT MANHOLE IS REQUIRED.
IF H IS 3" – 12" CONCRETE PIPE SUPPORT SHALL BE REQUIRED (SEE DETAIL THIS SHEET).
IF H IS GREATER THAN 12" , NO PIPE SUPPORT IS NEEDED.